

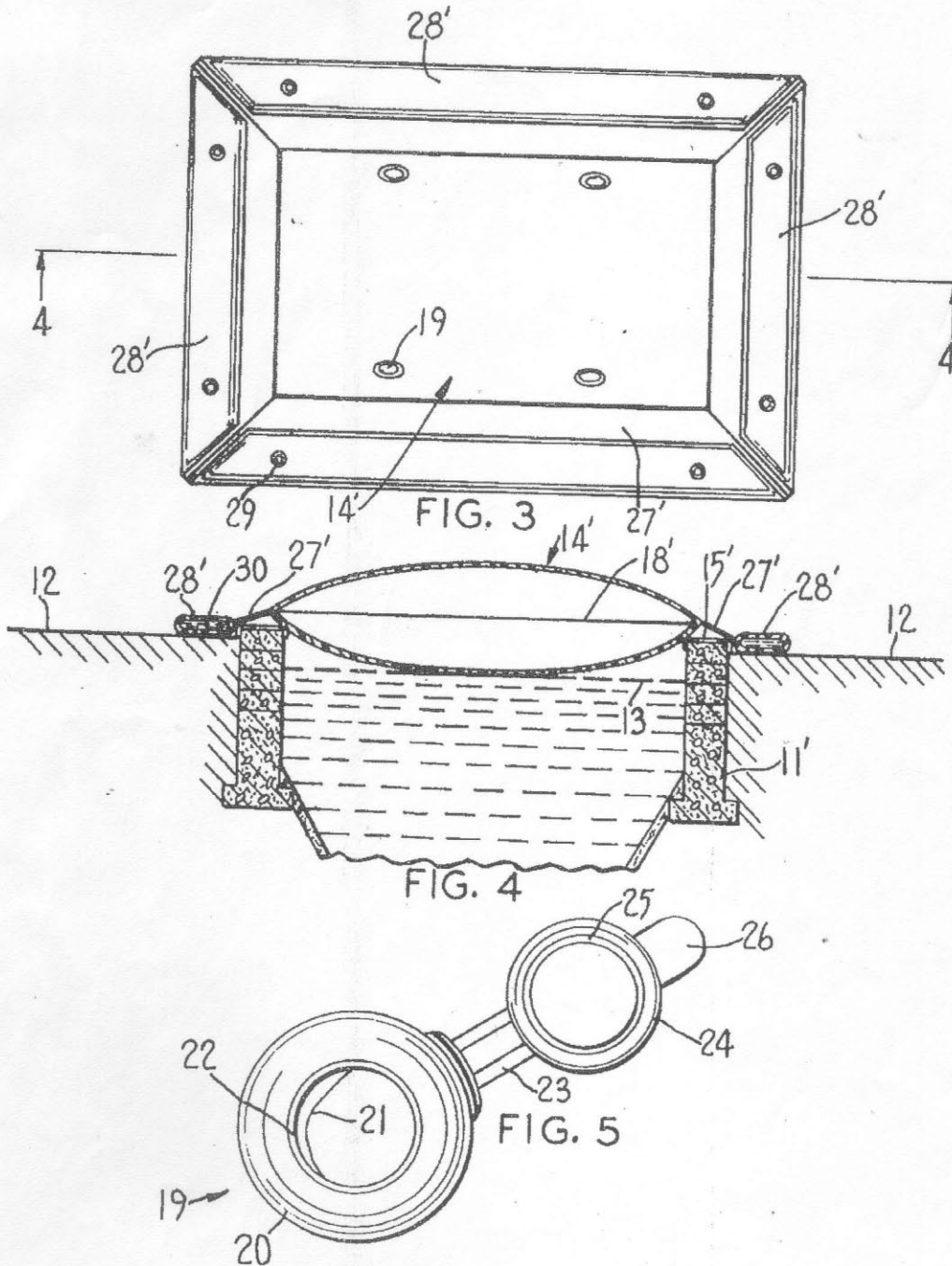
Oct. 13, 1970

J. G. GISONDI
SWIMMING POOL COVER

3,533,110

Filed Feb. 25, 1969

2 Sheets-Sheet 2



INVENTOR.
JOSEPH G. GISONDI
BY *Peter J. Taylor*
ATTORNEY

Oct. 13, 1970

J. G. GISONDI
SWIMMING POOL COVER

3,533,110

Filed Feb. 25, 1969

2 Sheets-Sheet 1

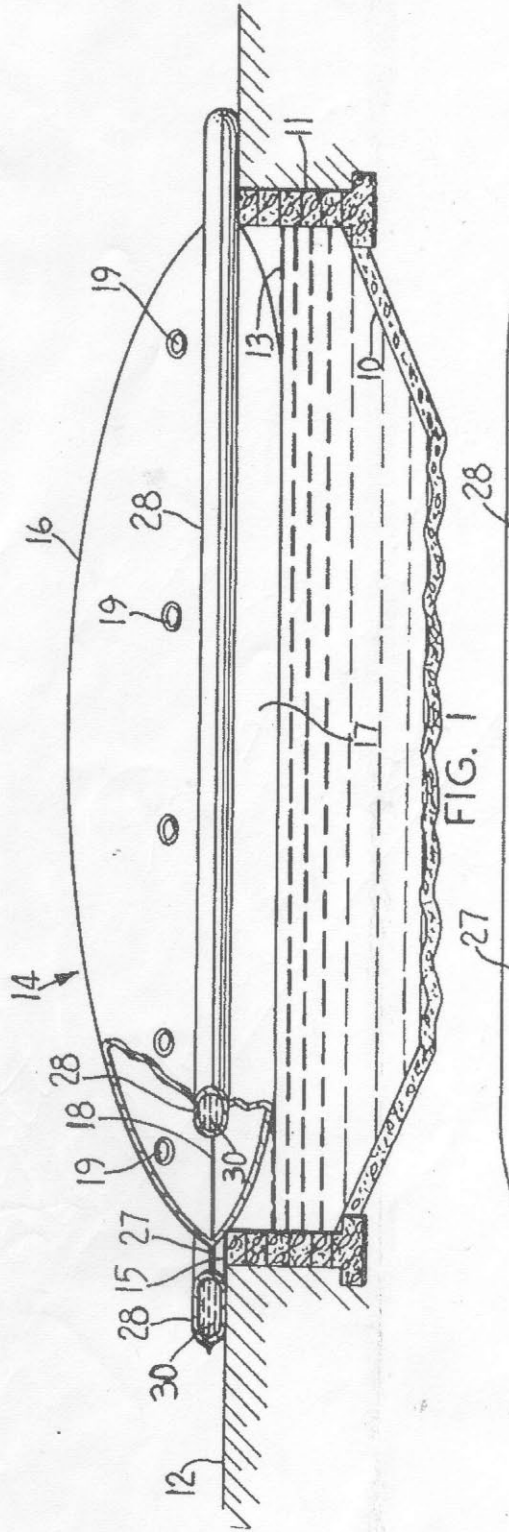


FIG. 1

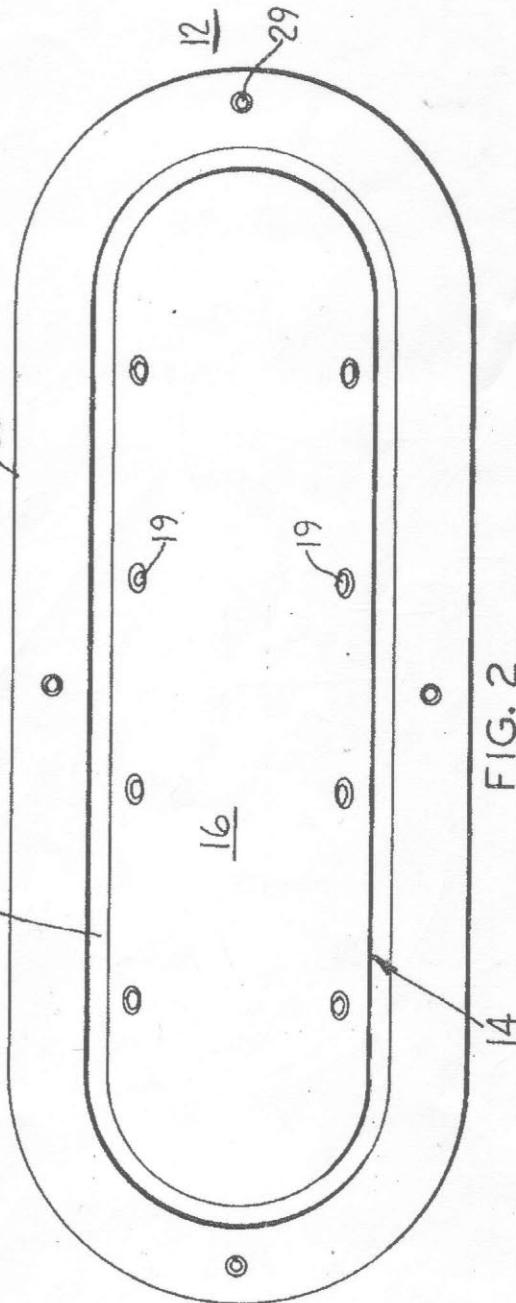


FIG. 2

INVENTOR
JOSEPH G. GISONDI

BY

John Taylor

ATTORNEY