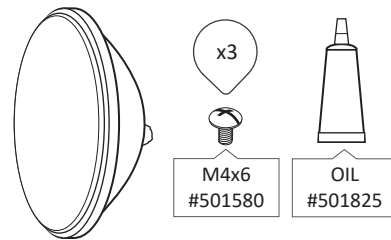


## PAR56 LED LAMP FOR SWIMMING POOL – COLOR LIGHTING

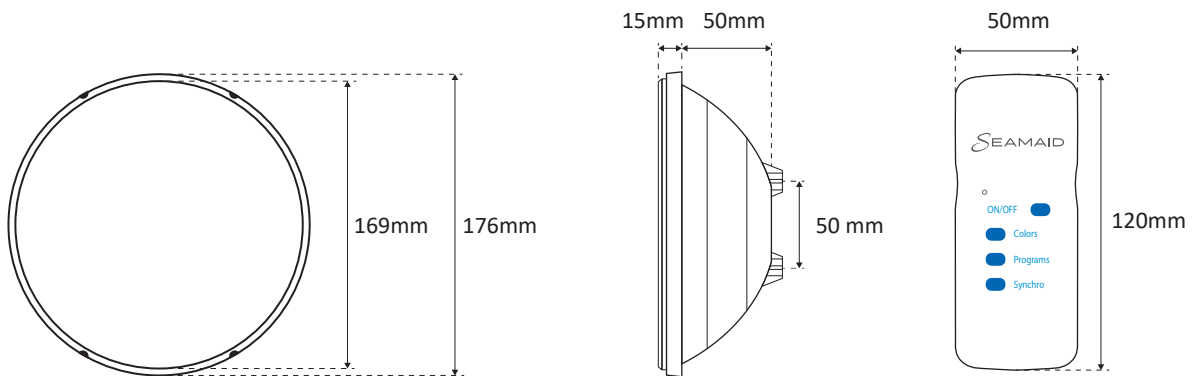


Model : **502839 - 502822**  
 Type : 90 LED 3528 / 120°  
 Color : 30R, 30G, 30B  
 Control : On/Off and 433Mhz radio remote  
 Functions : 11 static colors et 5 programs  
 Material : Polycarbonate (PC)  
 Wire connection : 2 screw terminals  
 HS code : 9405403990  
 Bar code : 3700450502839  
 Bar code : 3700450502822

### CONTENTS OF THE PACKAGING



### DIMENSIONS



### PACKING

Part Number	Box	Weight	Size	Carton	Weight	Size	Pallet	Weight	Size
502839	1U	0,65kg	17x17x17cm	6U	4,6kg	53x36x18cm	360U	286kg	100x120x205cm
502822	N/A	N/A	N/A	12U	6,9kg	54x39x20,5cm	648U	386kg	100x120x213cm

## PHOTOMETRY

Ra (IRC) : N/A

Beam angle : 120°

Nominal luminous flux : 600 lumens max.

Extractable light source : ALP02

Light source energy class : N/A

This swimming pool luminaire contains an extractable LED light source with color change not concerned by the EU2019/2015 and 2019/2020 regulations.

## ELECTRICAL PARAMETERS

Instant power max : 16W

Input voltage : ~12V(AC) 50/60Hz or =20V(DC)

PF max : 0,7 if ~12V(AC)

PF max : 1 if =20V(DC)

Mini power supply with ~12V(AC) [(Pi /PF)+20%] : 28VA

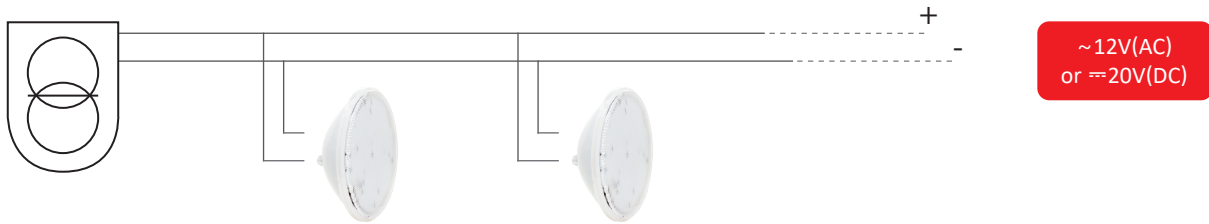
Electric class : III



**CLASS III**  ~12V(AC)  
=20V(DC)

## CONNECTION

Use a 2 x 1mm<sup>2</sup> minimum cross section of connecting cable, to adapt according to the distance between the junction box of the projector and the transformer well as the power input.



USE ONLY WITH A SAFETY TRANSFORMER / DO NOT PLUG IN SERIES /  
PROTECT THE CONNECTOR WITH INSULATING GEL

## OTHER PARAMETERS

Protection index : IP68

LED life span : 15 000h

On/Off cycles : > 100 000

Use : This pool light is designed for use in permanent immersion in water with a IP68 waterproof rating. The spin welding assembly process of the optical part with its support, does not allow its repairability. The light source is not replaceable and in case of failure, it is necessary change all the luminaire.



## CERTIFICATION

EMC 2014/30/EU Directive.

Radio RED 2014/53/EU Directive.

EN60598-1 / EN60598-2-18 Norm in all its modifications.

BSEN standards EMC.

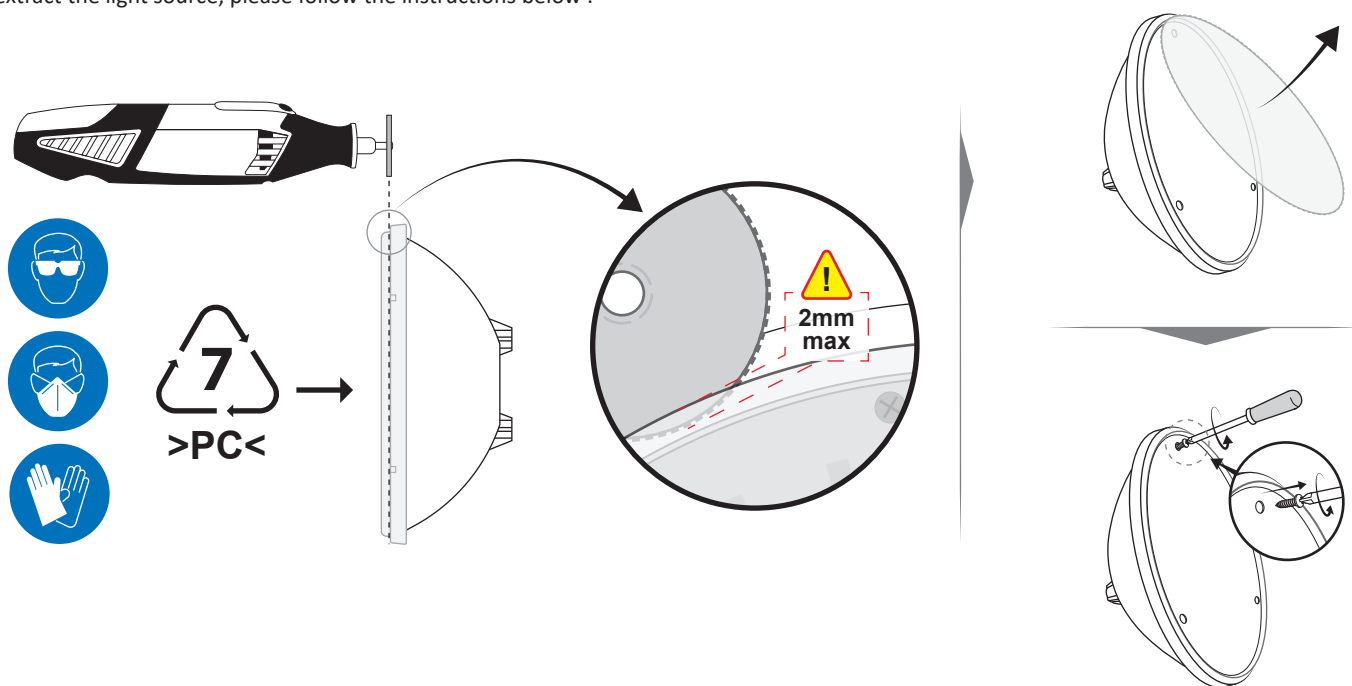
BSEN standards Safety.

BSEN standard RED.

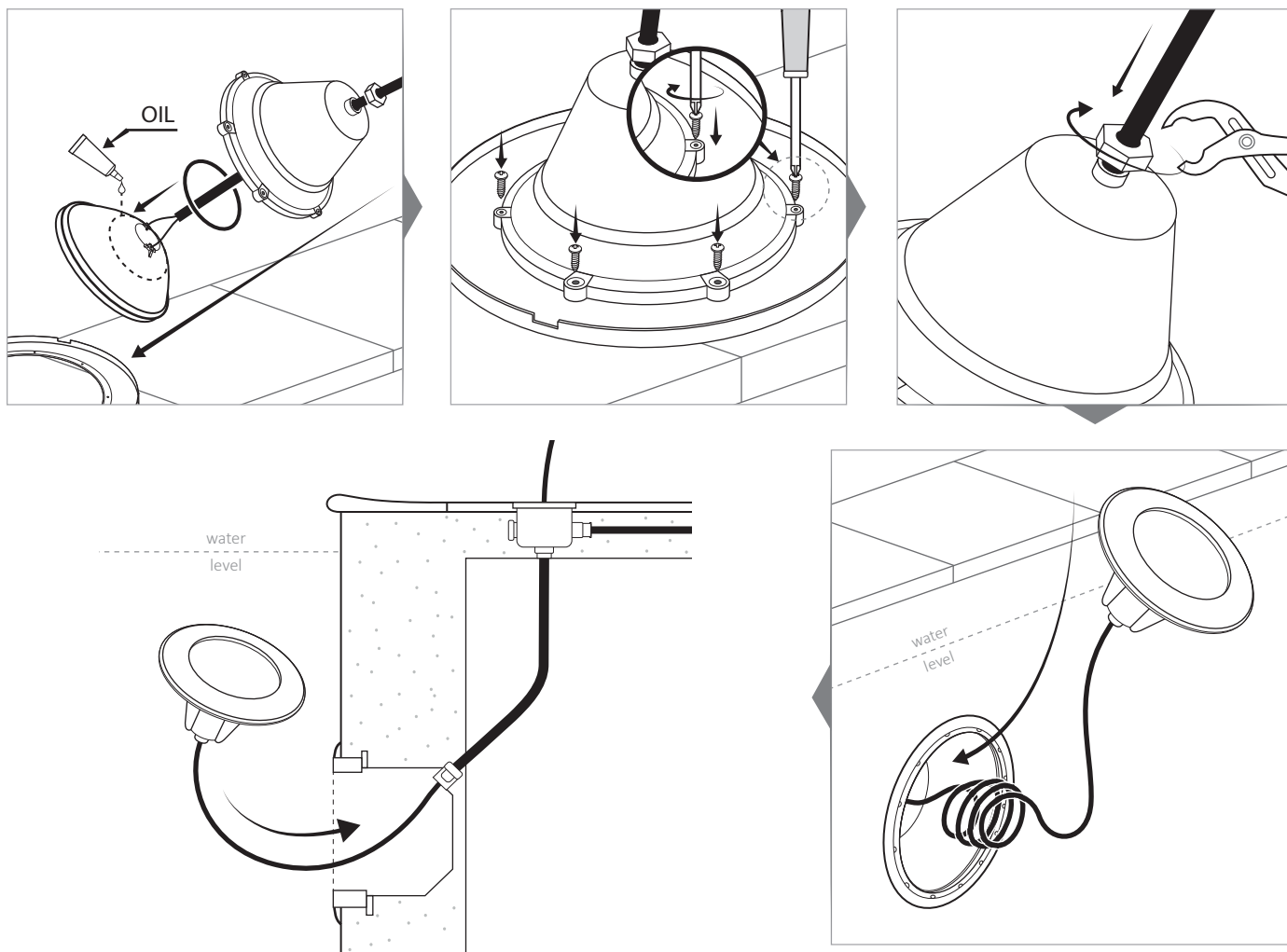


### VARIOUS

To extract the light source, please follow the instructions below :



### PRINCIPLE OF INSTALLATION



For more information, see the product leaflet