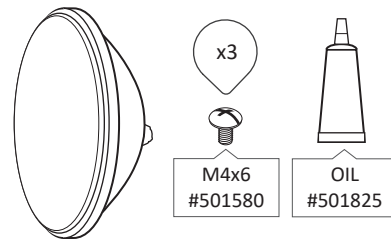
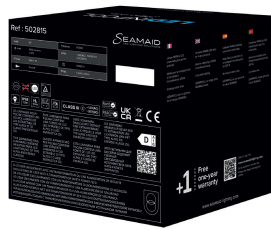


PAR56 LED LAMP FOR SWIMMING POOL – WHITE LIGHTING

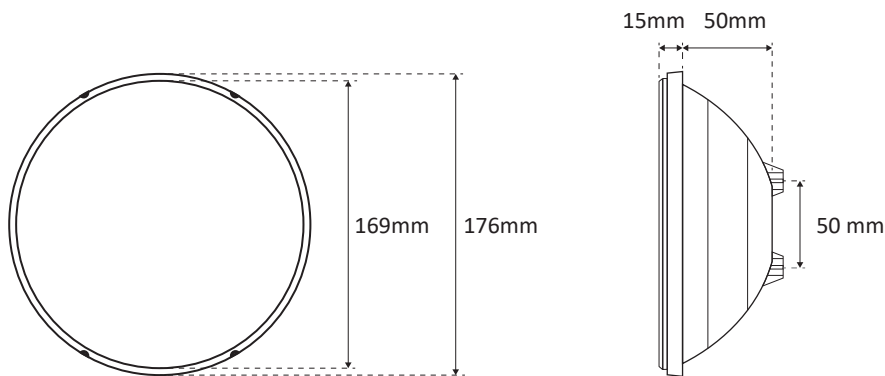


Model : **502815 - 502808**
 Type : 60 LED 3528 / 120°
 Color : cold white 6500K
 Control : On/Off
 Material : Polycarbonate (PC)
 Wire connection : 2 screw terminals
 HS code : 9405403990
 Bar code : 3700450502815
 Bar code : 3700450502808

CONTENTS OF THE PACKAGING



DIMENSIONS



PACKING

Part Number	Box	Weight	Size	Carton	Weight	Size	Pallet	Weight	Size
502815	1U	0,58kg	17x17x17cm	6U	4,15kg	53x36x18cm	360U	260kg	100x120x205cm
502808	N/A	N/A	N/A	12U	6,3kg	54x39x20,5cm	648U	354kg	100x120x213cm

PHOTOMETRY

Ra (IRC) : 85
 Beam angle : 120°
 Nominal luminous flux : 1450 lumens max.
 Extractable light source : ALP01
 Light source energy class : D
 his swimming pool luminaire contains an extractable LED light source of type ALP01 and energy class (D)



ELECTRICAL PARAMETERS

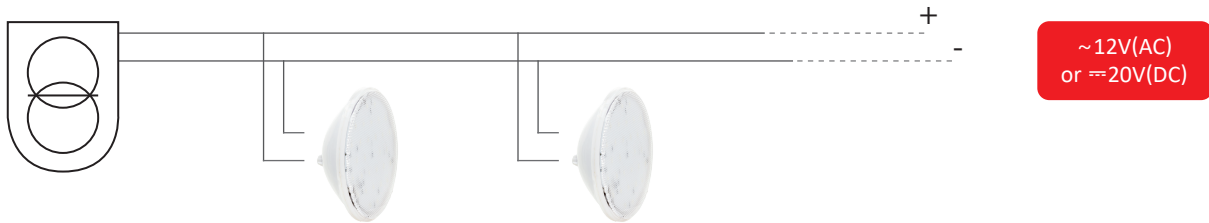
Instant power max : 13W
 Input voltage : ~12V(AC) 50/60Hz or =20V(DC)
 PF max : 0,7 if ~12V(AC)
 PF max : 1 if =20V(DC)
 Mini power supply ~12V(AC) [(Pi /PF)+20%] : 23VA
 Electric Class : III



CLASS III  ~12V(AC)
 =20V(DC)

CONNECTION

Use a 2 x 1mm² minimum cross section of connecting cable, to adapt according to the distance between the junction box of the projector and the transformer well as the power input.

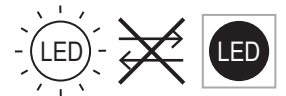


~12V(AC)
 or =20V(DC)

USE ONLY WITH A SAFETY TRANSFORMER / DO NOT PLUG IN SERIES /
 PROTECT THE CONNECTOR WITH INSULATING GEL

OTHER PARAMETERS

Protection index : IP68
 LED life span : > 10 000h
 On/Off cycles : > 100 000
 Use : This pool light is designed for use in permanent immersion in water with a IP68 waterproof rating. The spin welding assembly process of the optical part with its support, does not allow its reparability. The light source is not replaceable and in case of failure, it is necessary change all the luminaire.



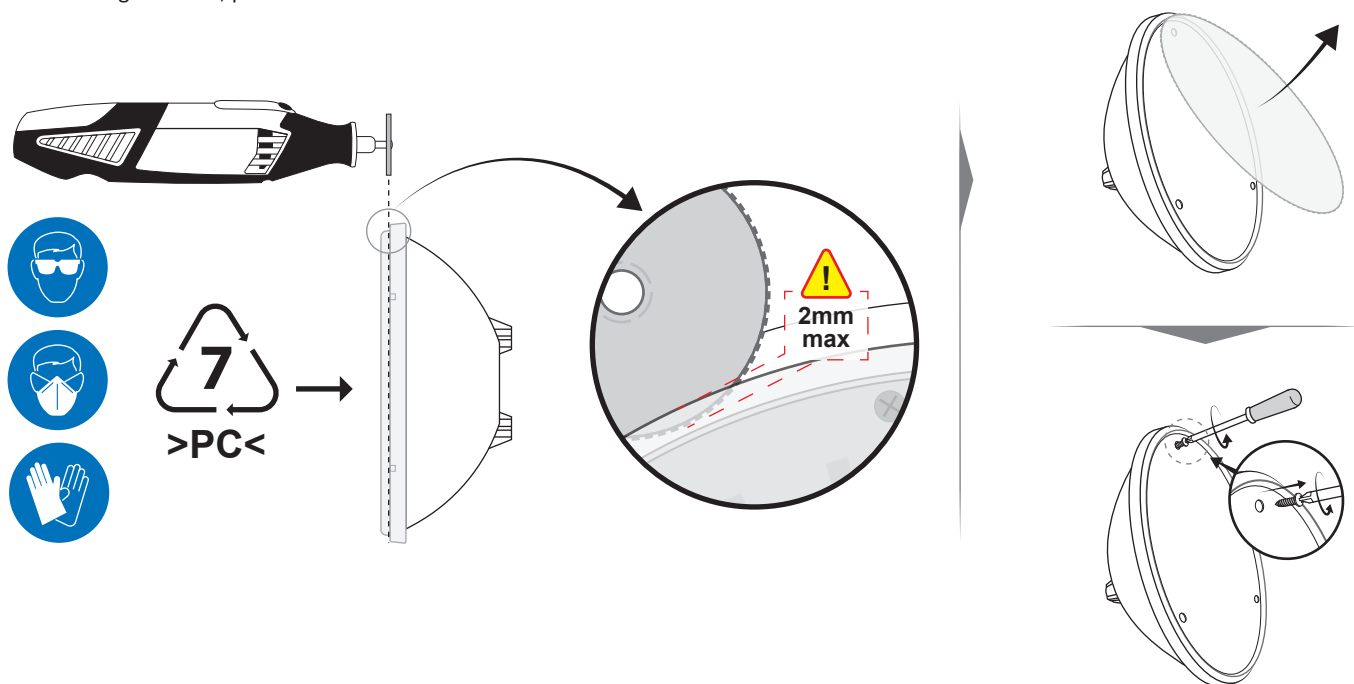
CERTIFICATION

EMC 2014/30/EU Directive.
 EN60598-1 / EN60598-2-18 Norm in all its modifications.
 BSEN standards EMC.
 BSEN standards Safety.
 BSEN standard RED.

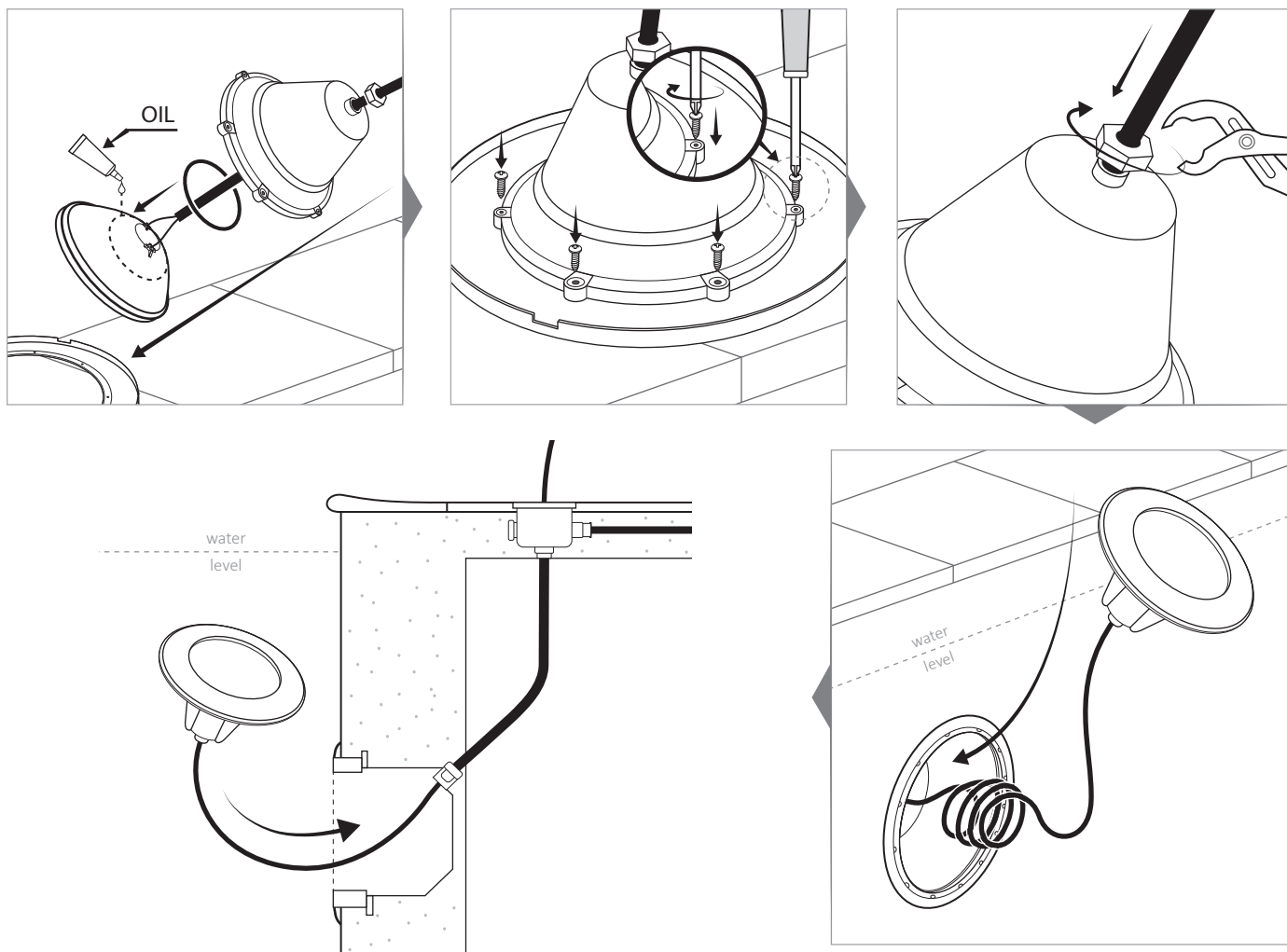


VARIOUS

To extract the light source, please follow the instructions below :



PRINCIPLE OF INSTALLATION



For more information, see the product leaflet