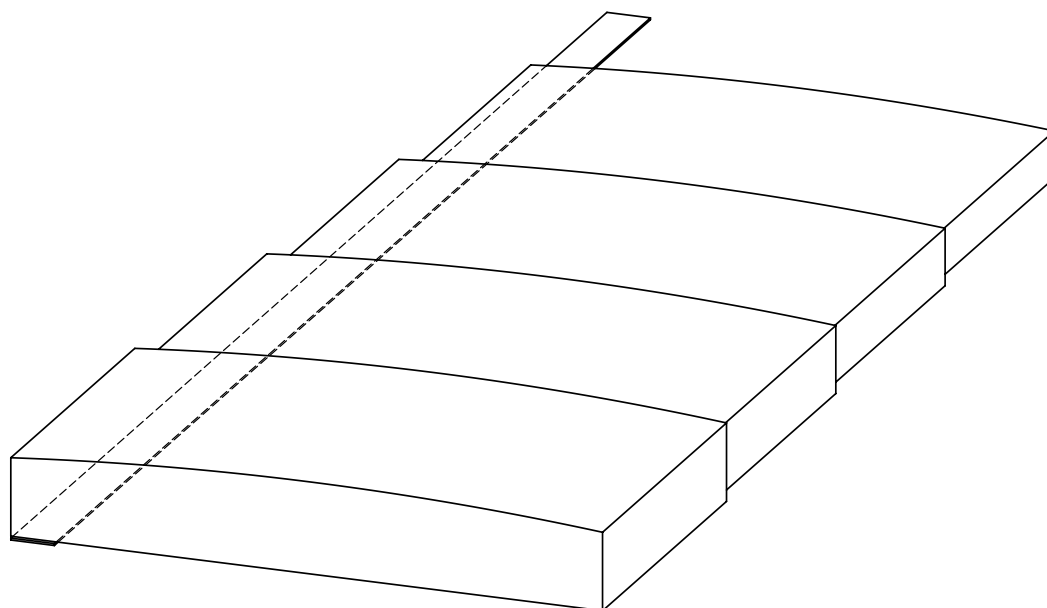


p7 p9

one side rail left



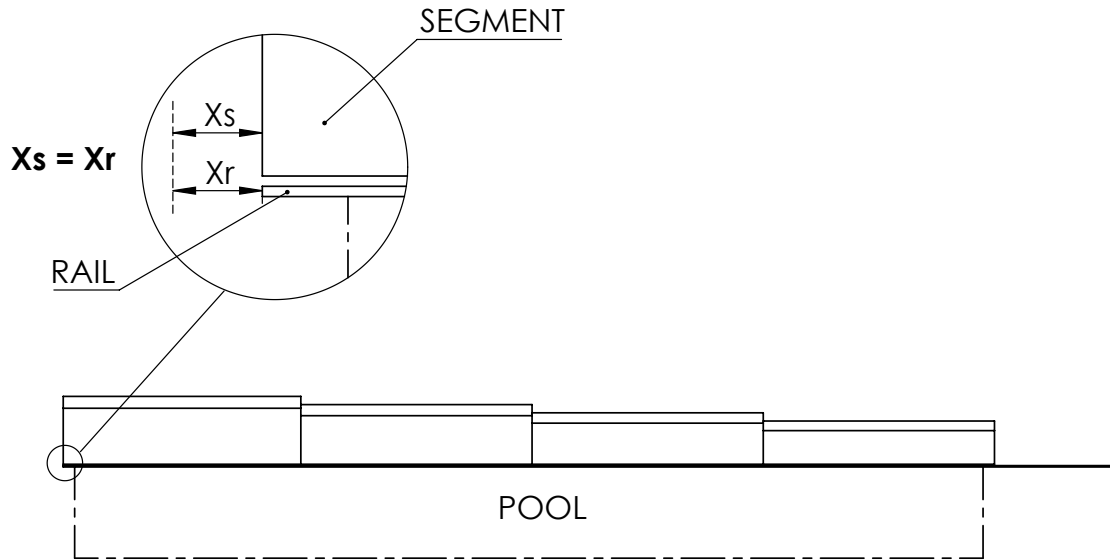
Manual

Installation of Pool Enclosure P7, P9
one side rail left

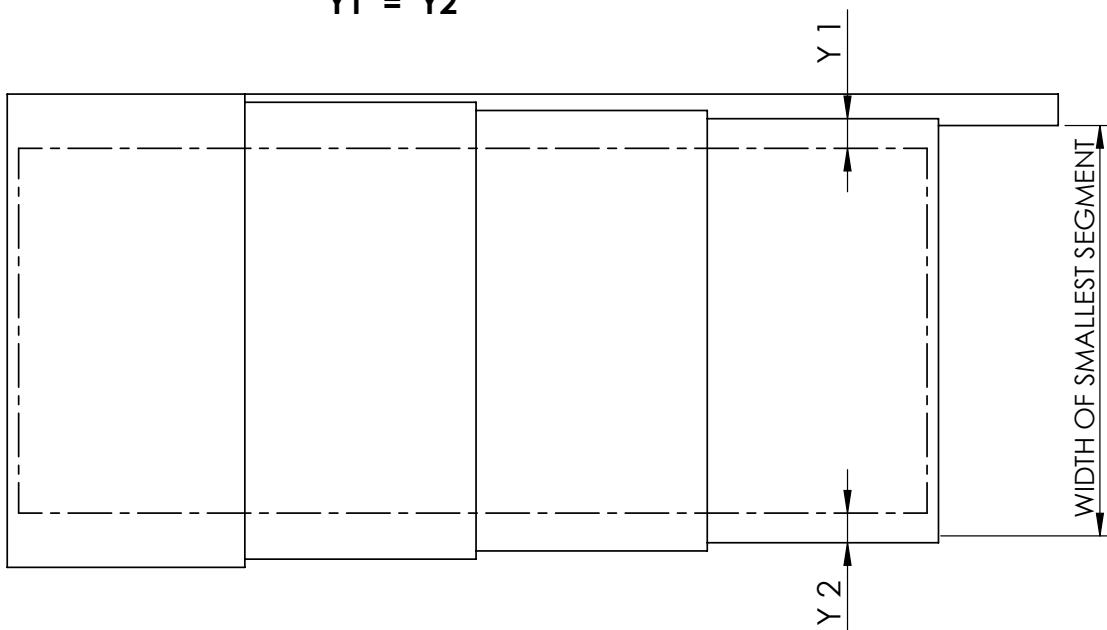
Line **PRESTIGE**

popp

COVER POSITION

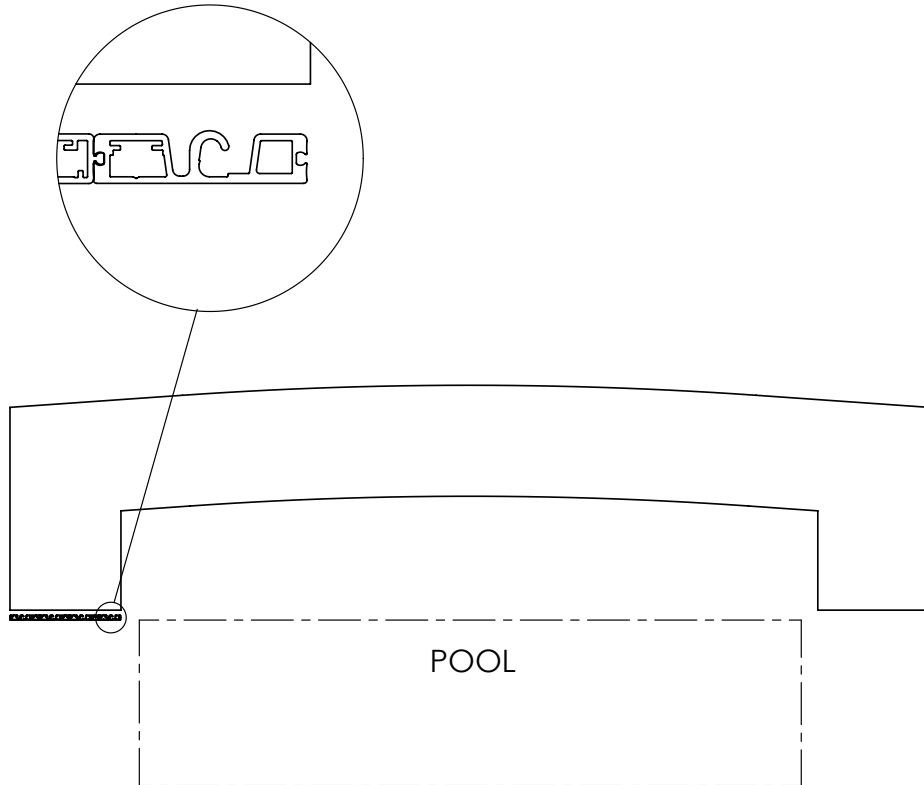


$Y_1 = Y_2$

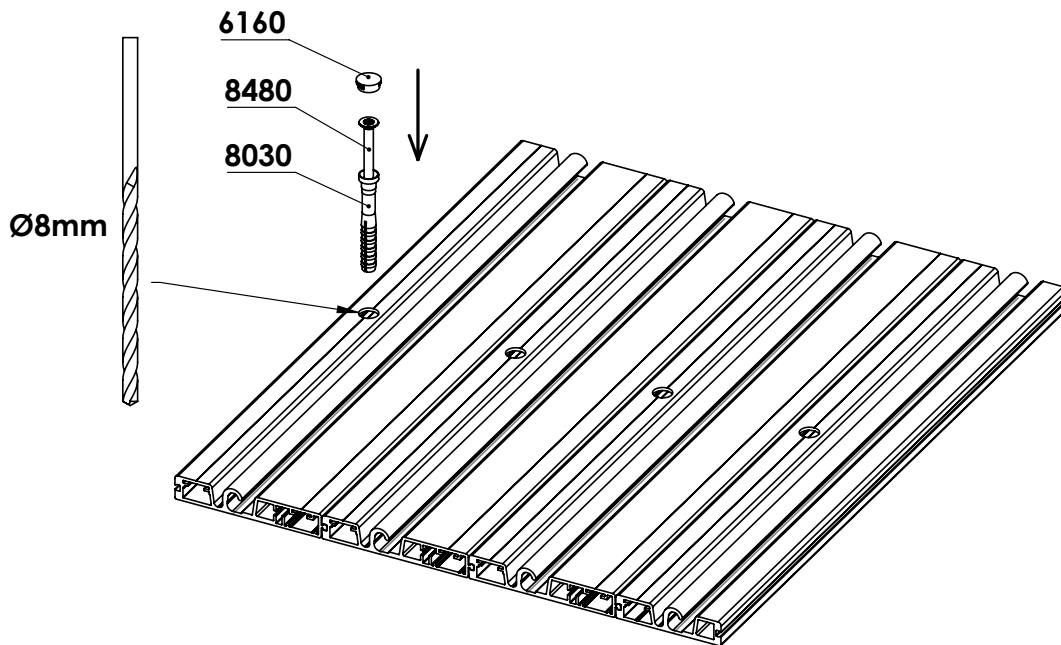
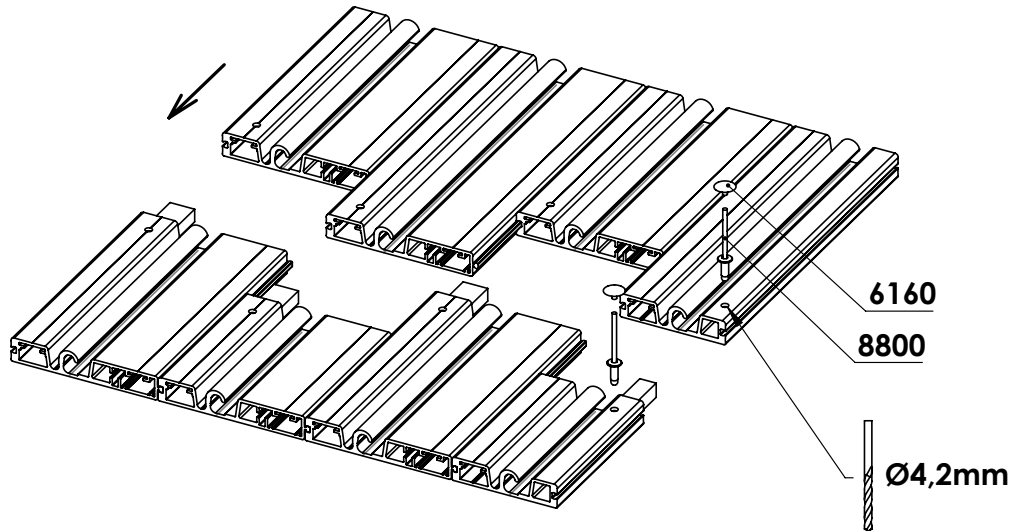


RAIL POSITION

LEFT



RAIL MOUNTING



PARTS:



8480 - Ø5x60 (120)



8800 - Ø4,2x10



6160

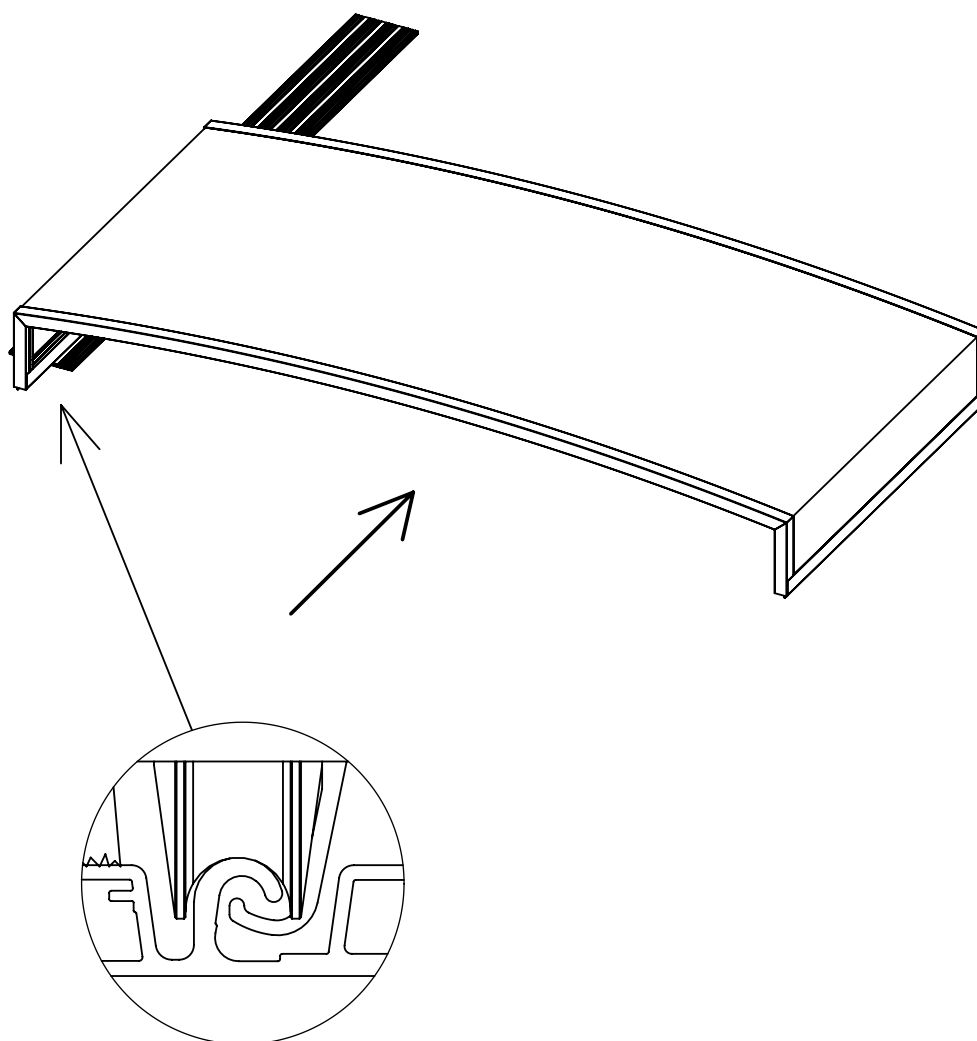


8030 - Ø8x60 (120)

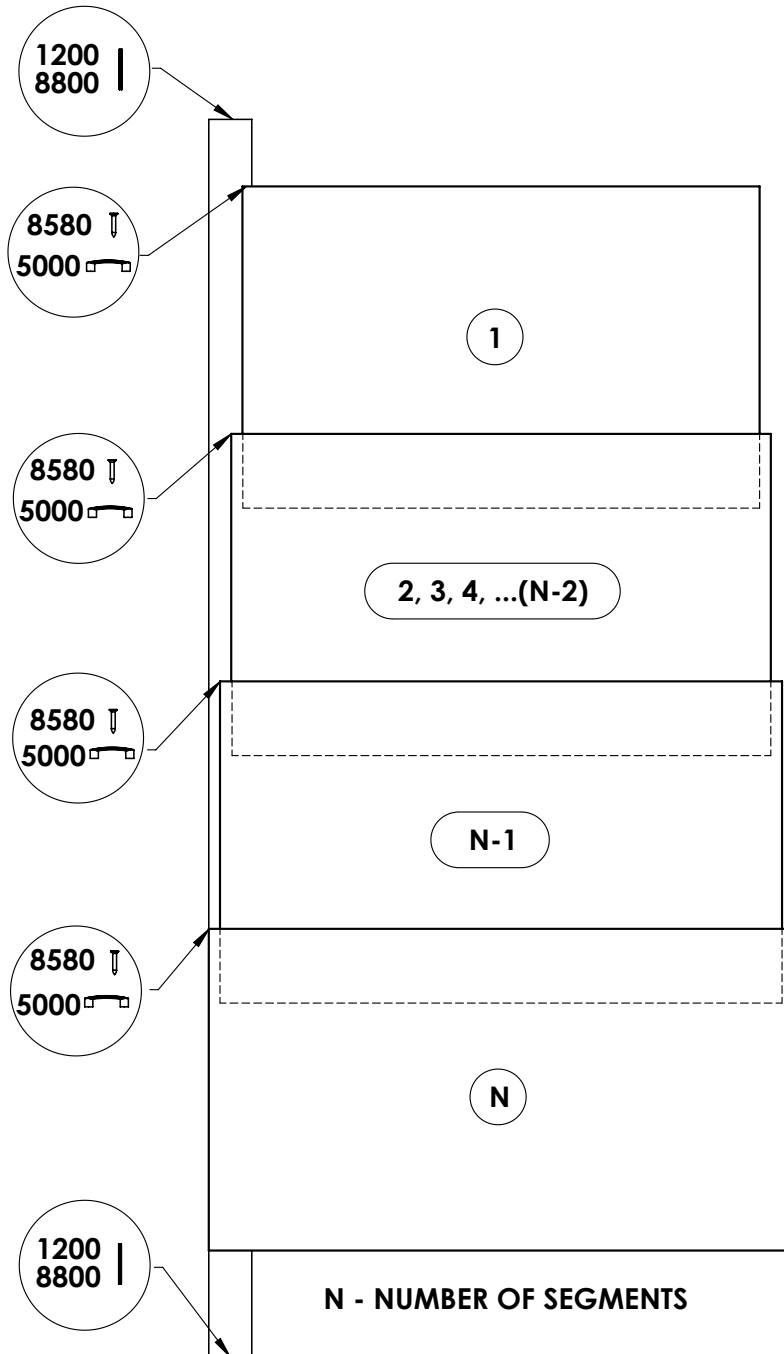


6160 - Ø12

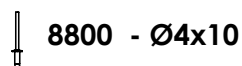
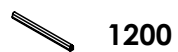
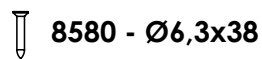
INSTALLATION OF SEGMENTS



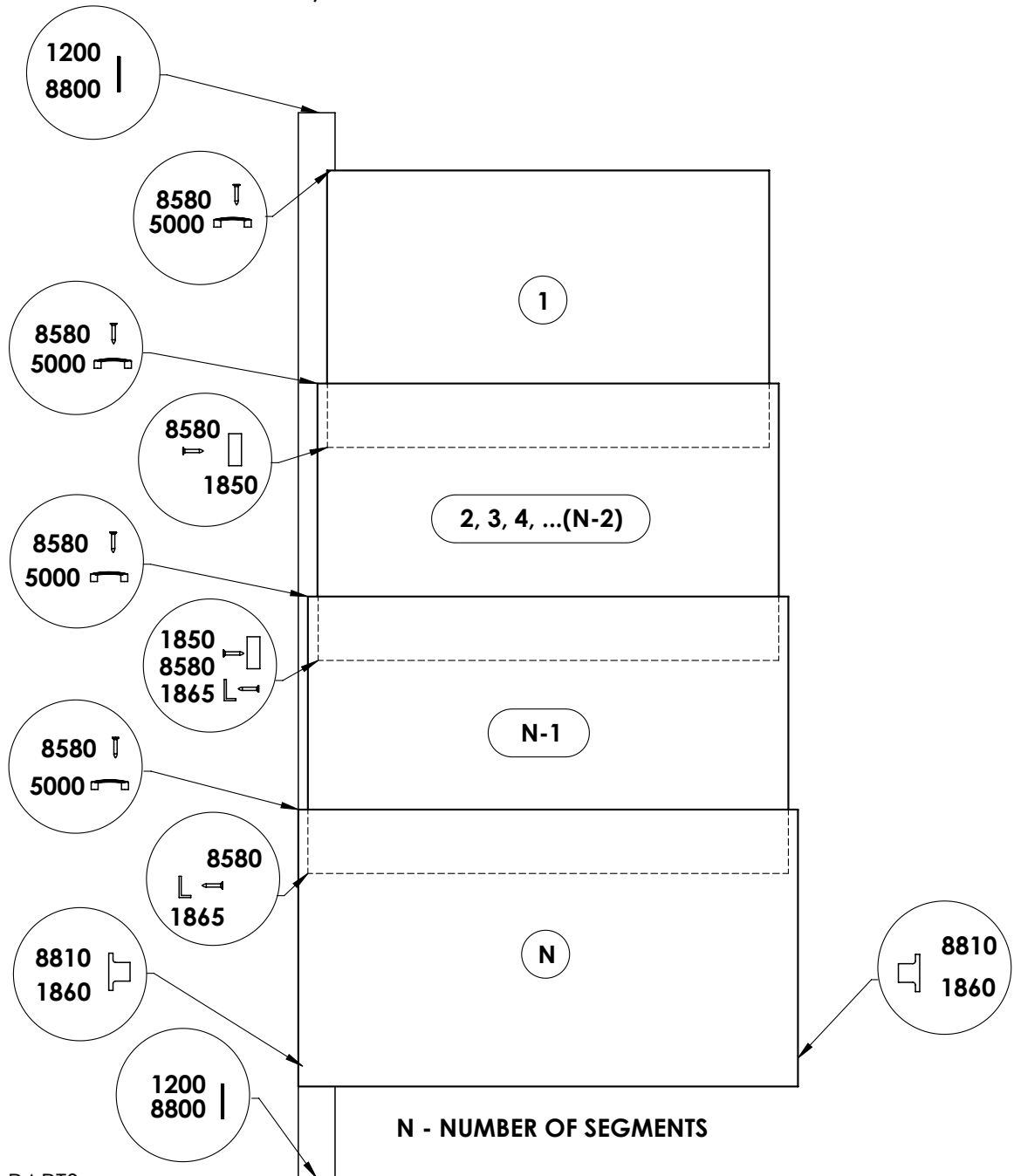
COLLECTING AND GUIDING ELEMENTS
 P7, P9 ONE-SIDE RAIL LEFT - FIXED FACADE + TILTING SEAL





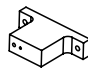

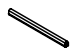



PARTS:



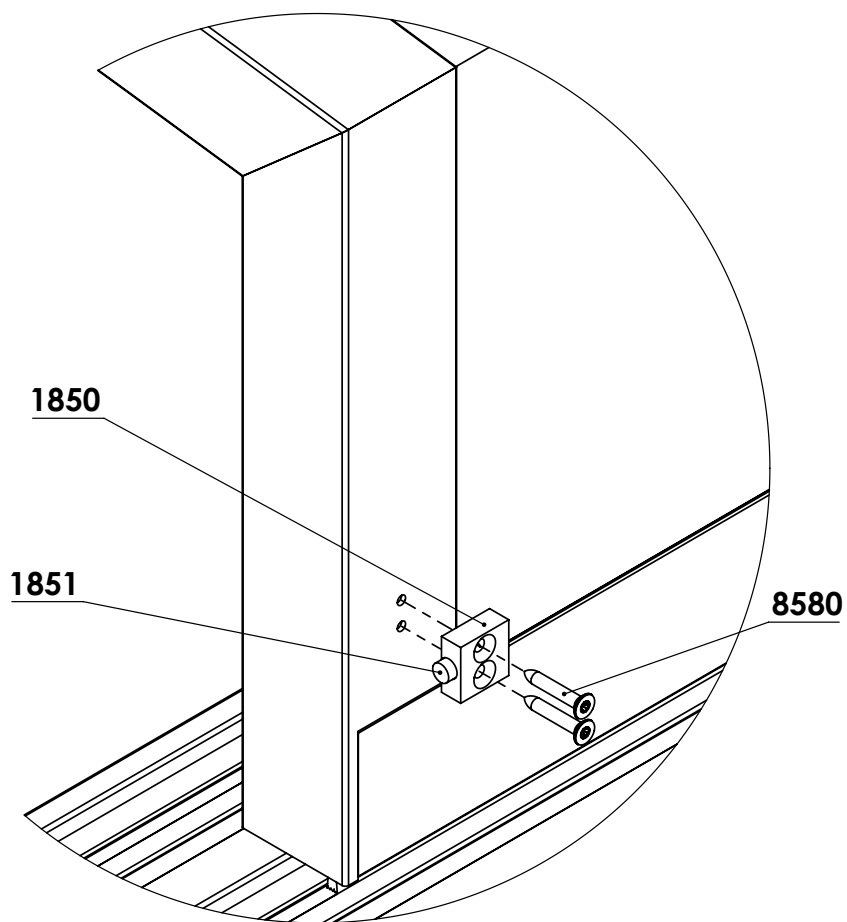
COLLECTING AND GUIDING ELEMENTS
P7, P9 ONE-SIDE RAIL LEFT - DOORS FACADE



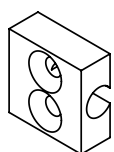
PARTS:

 5000	 1850	 1860	 8580 - Ø6,3x38
 1200	 1865	 8800 - Ø4x10	 8810 - Ø4x12

INSTALLATION OF SHOCK ABSORBER HOLDER P7, P9 - ONLY AT DOORS FACADE



PARTS:



1850

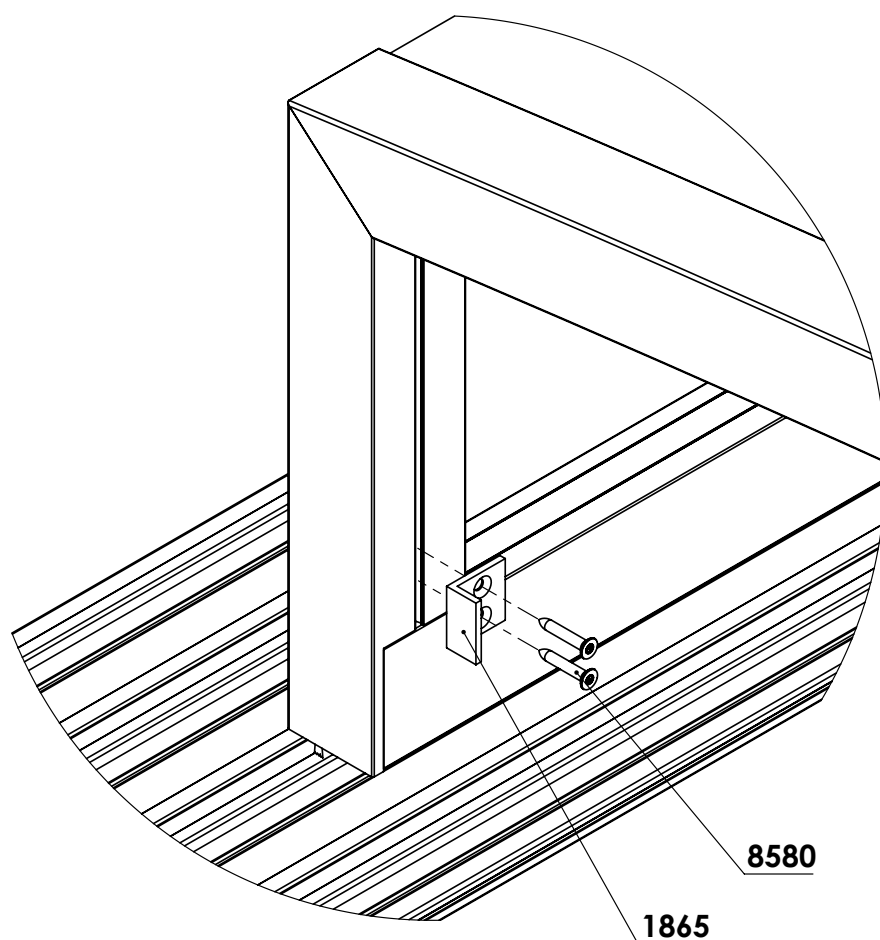


1851



8580 - Ø6,3 x 38

PLACING OF COLLECTING ELEMENTS P7, P9 - ONLY AT DOORS FACADE



PARTS:

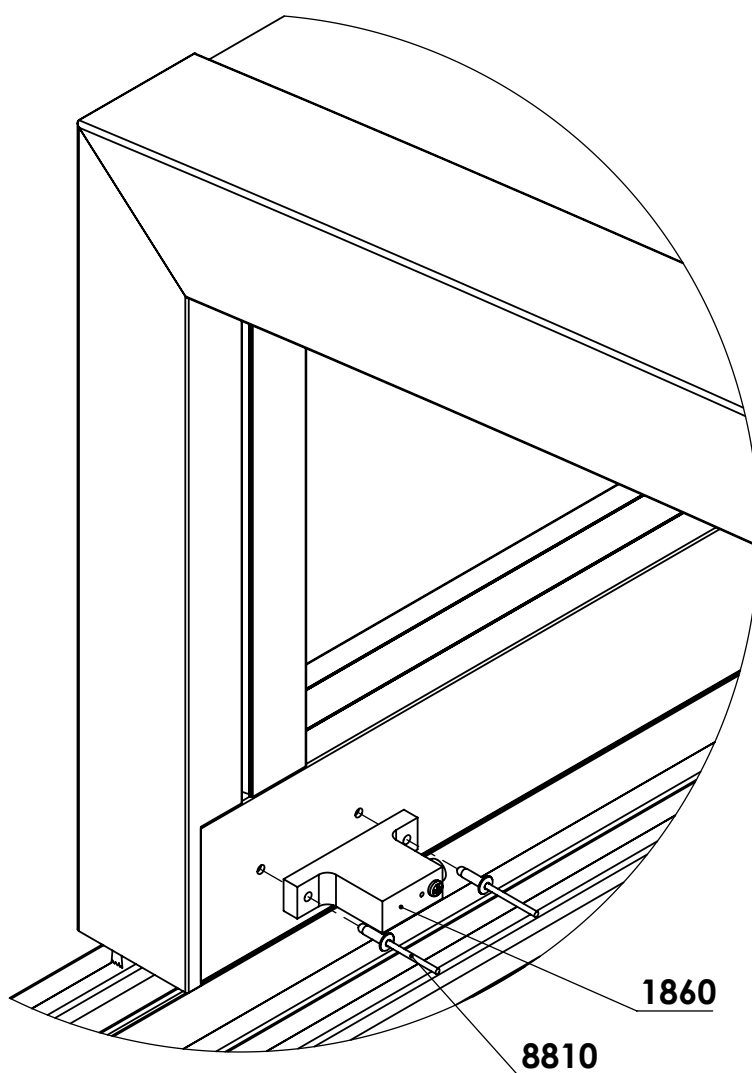


1865

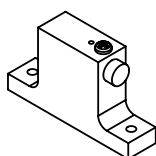


8580 - Ø6,3 x 38

PLACING OF COLLECTING ELEMENTS FACADE P7, P9 - ONLY AT DOORS FACADE



PARTS:

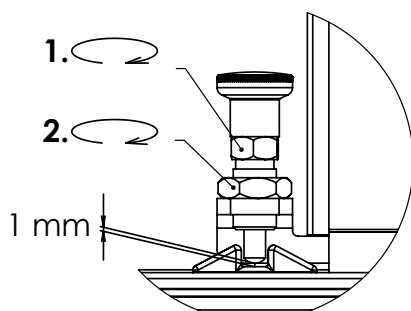
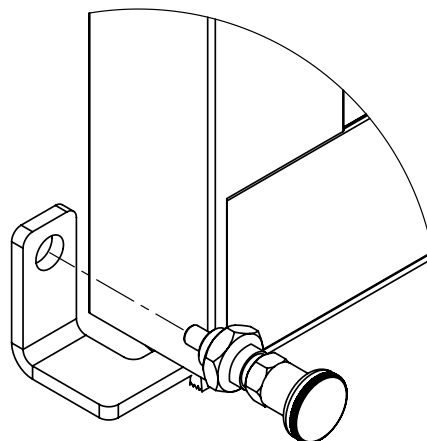
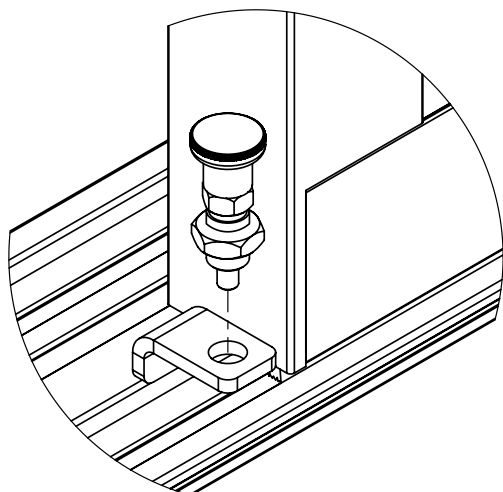


1860



8810 - Ø4 x 12

INSTALLATION OF LOCKING BOLT



PARTS:



1220



1230

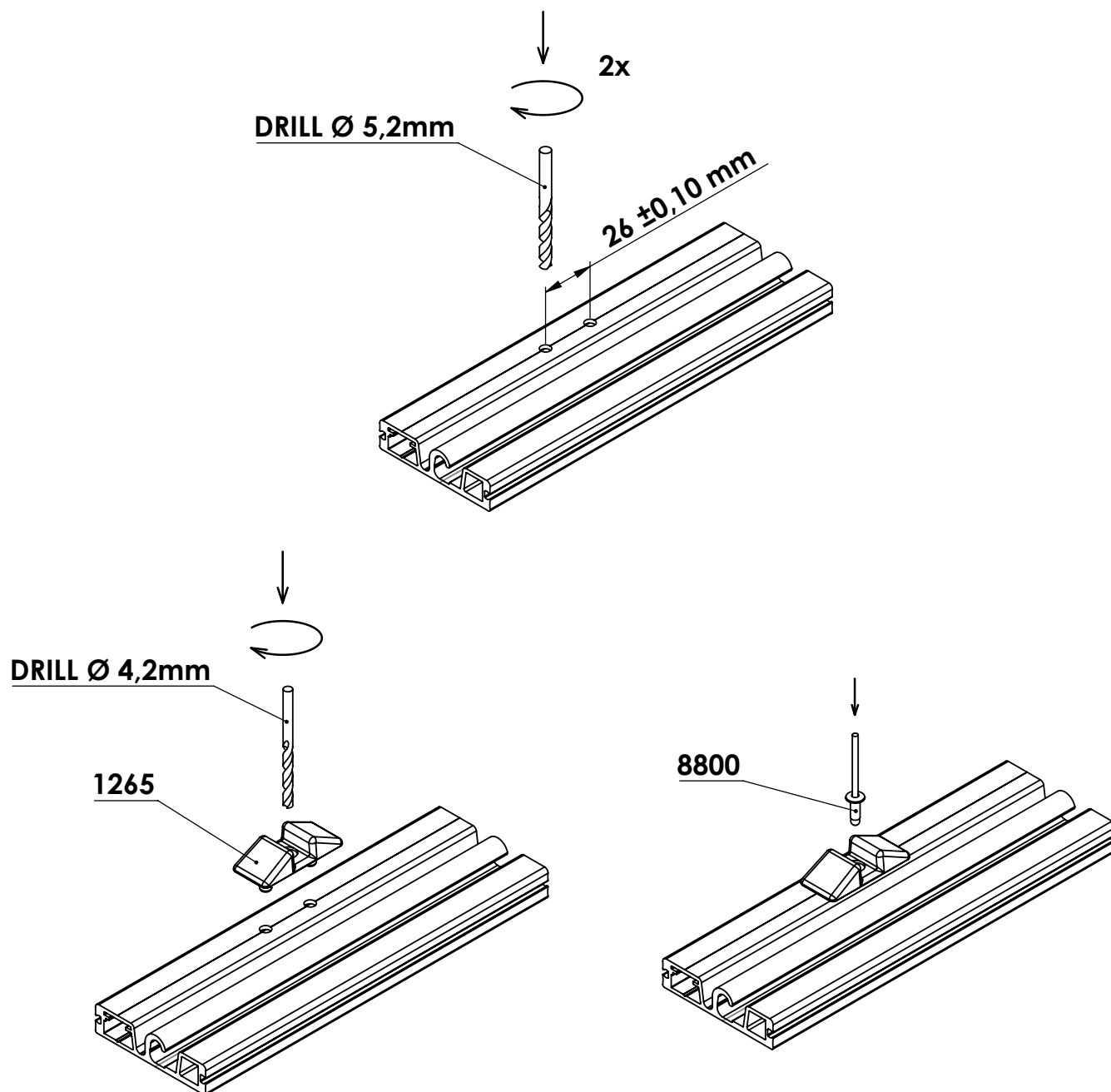


1220 - M16 x 1,5

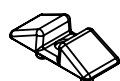


1210 - M12 x 1,5

INSTALLATION OF FIXING PYRAMID WITHOUT HELPING TOOL



PARTS:

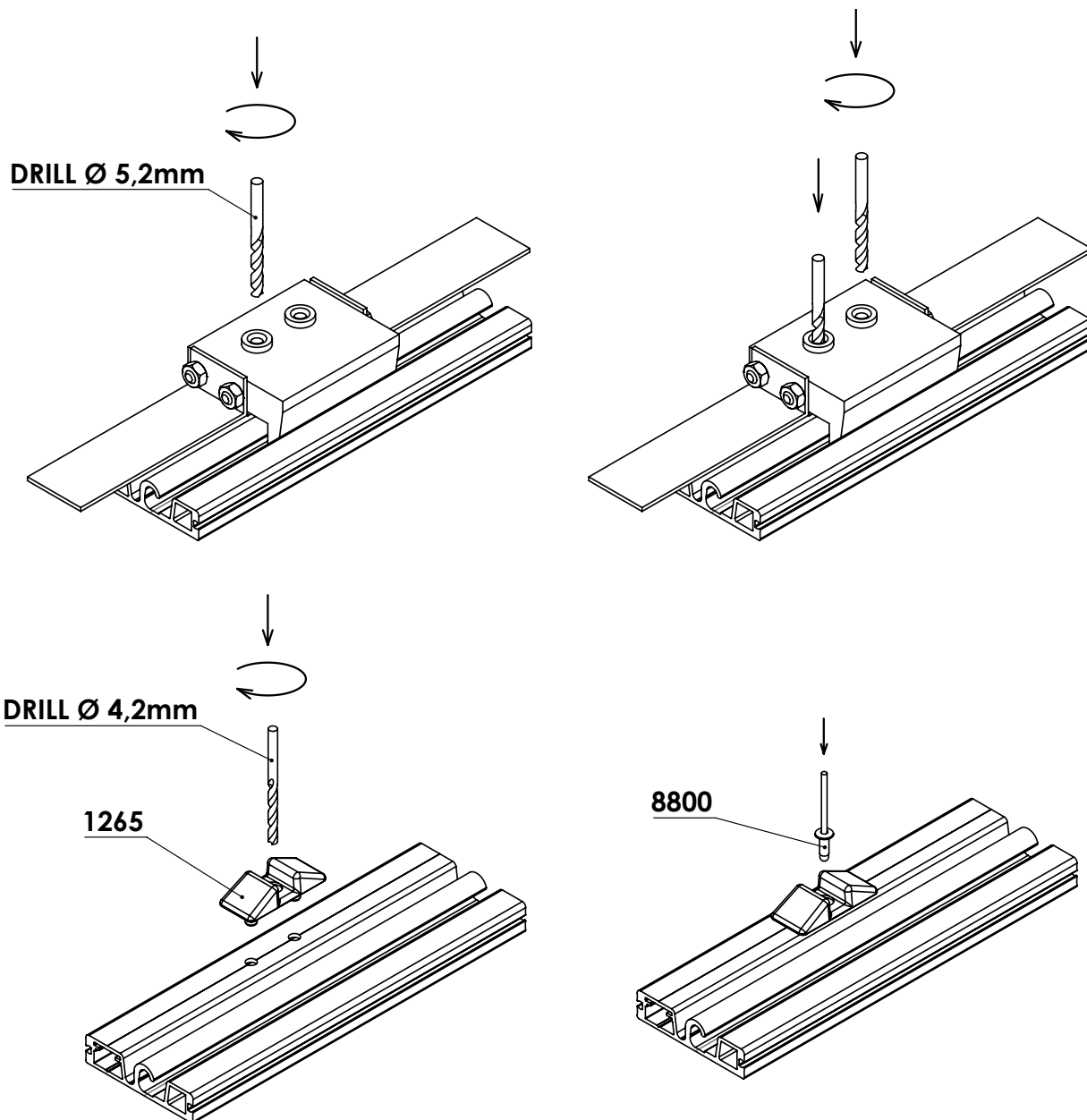


1265

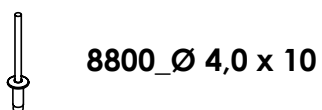
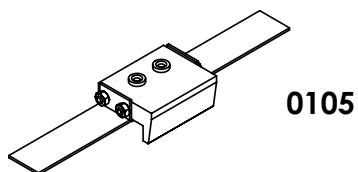


8800_Ø 4,0 x 10

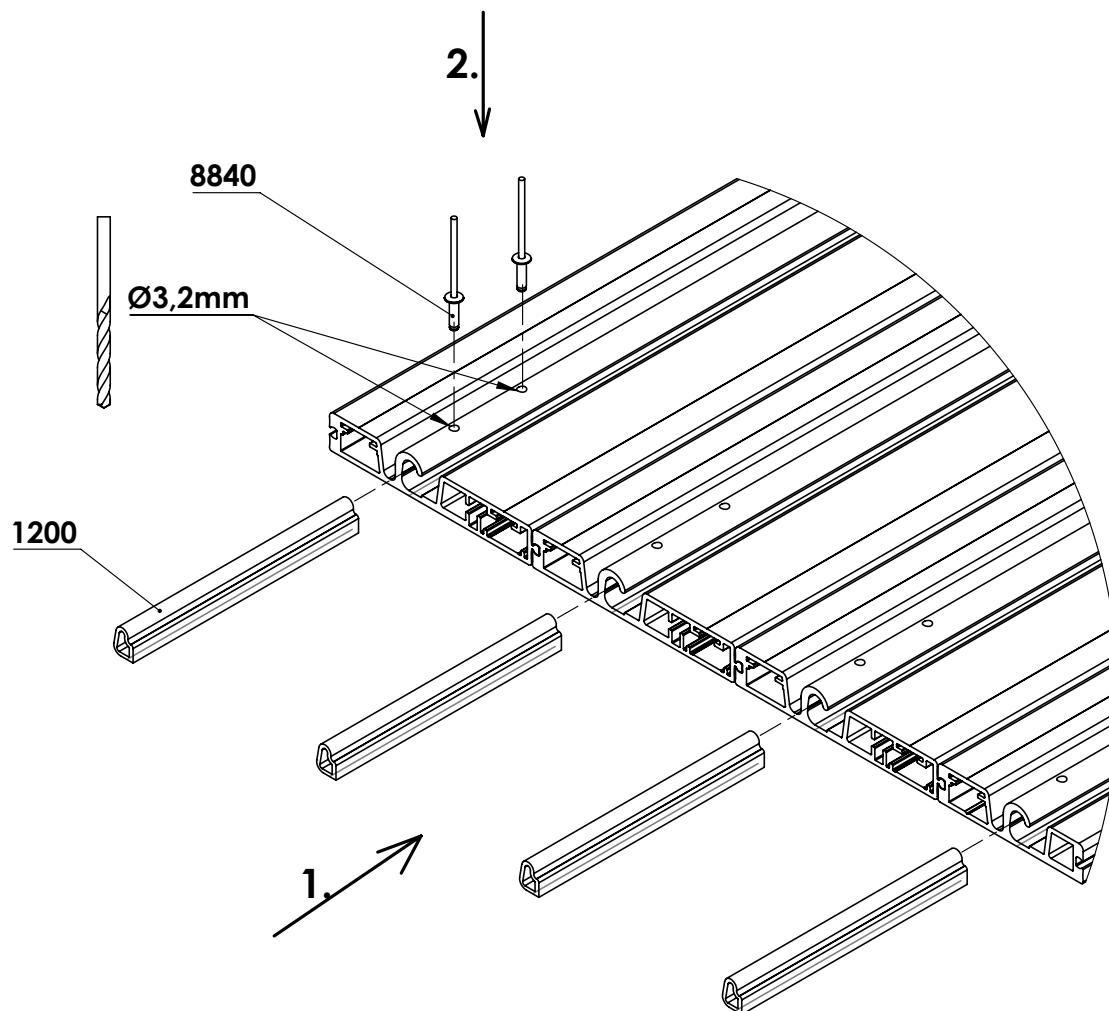
INSTALLATION OF FIXING PYRAMID - OPTION



PARTS:



PLACING OF STOP ELEMENTS FOR SEGMENTS



PARTS:

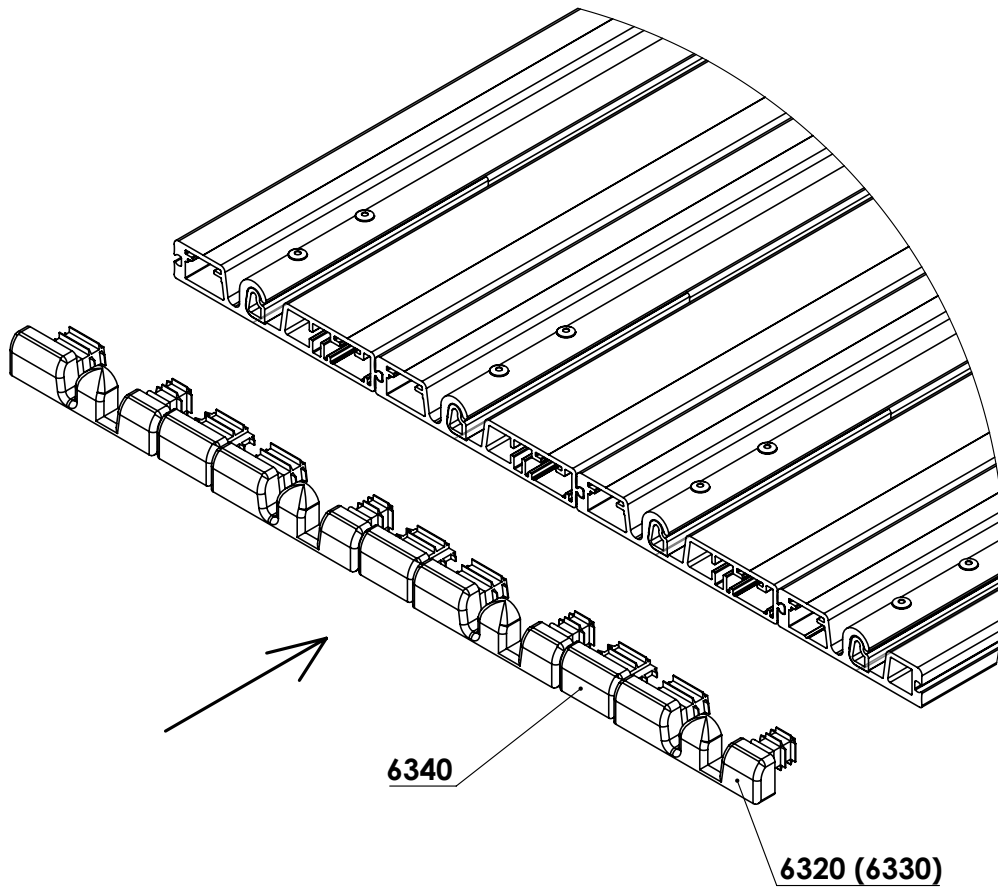


1200

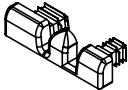

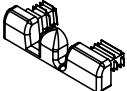


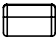


8840 - $\text{Ø}3 \times 10$

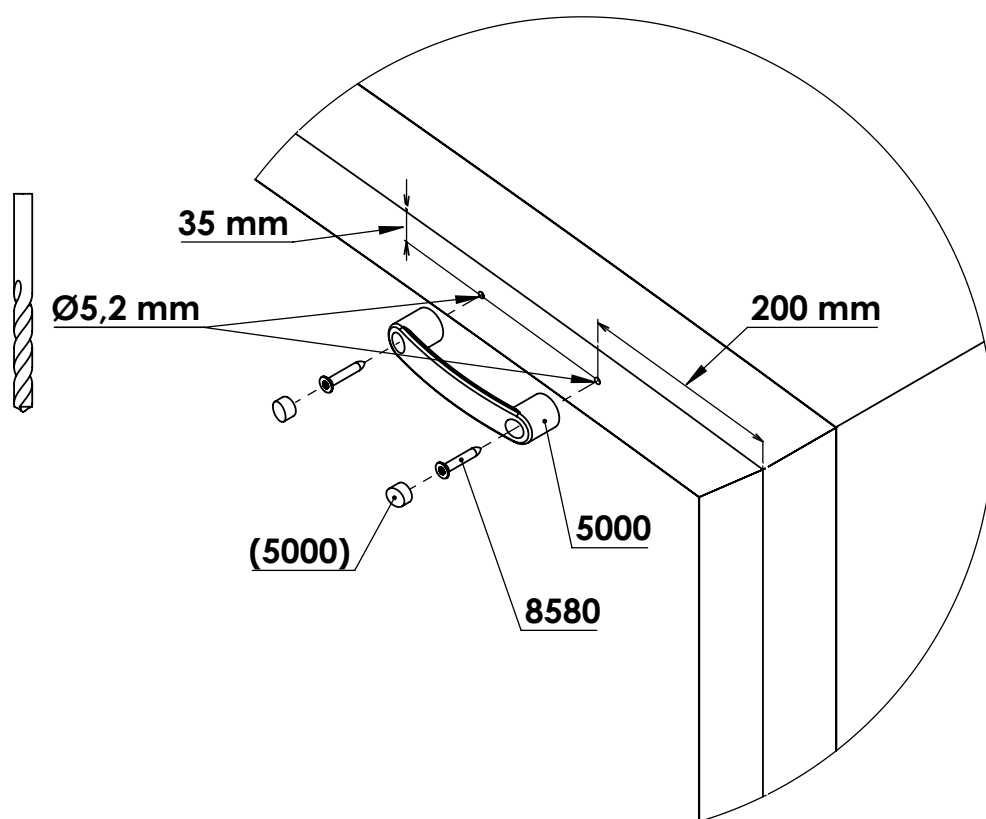
PLACING OF BLIND PLUG OF RAIL



PARTS:

		L	6320
		R	6330
			6340

INSTALLATION OF HANDLE



PARTS:

