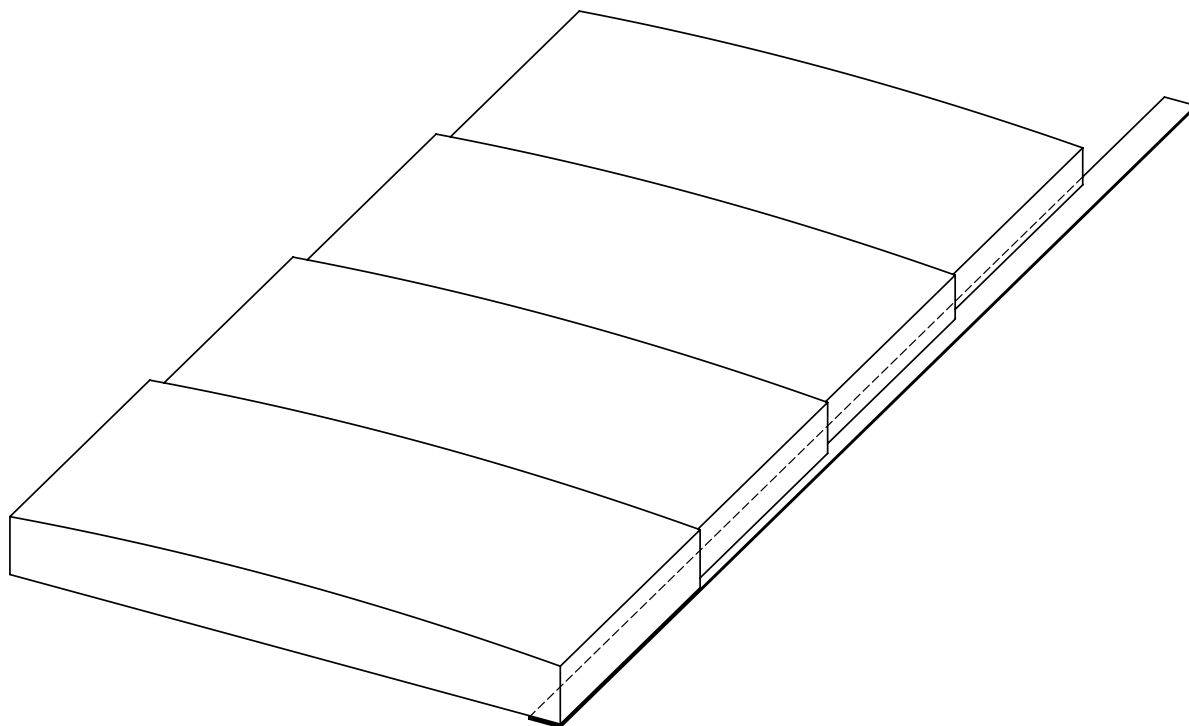


Selekt

one side rail right



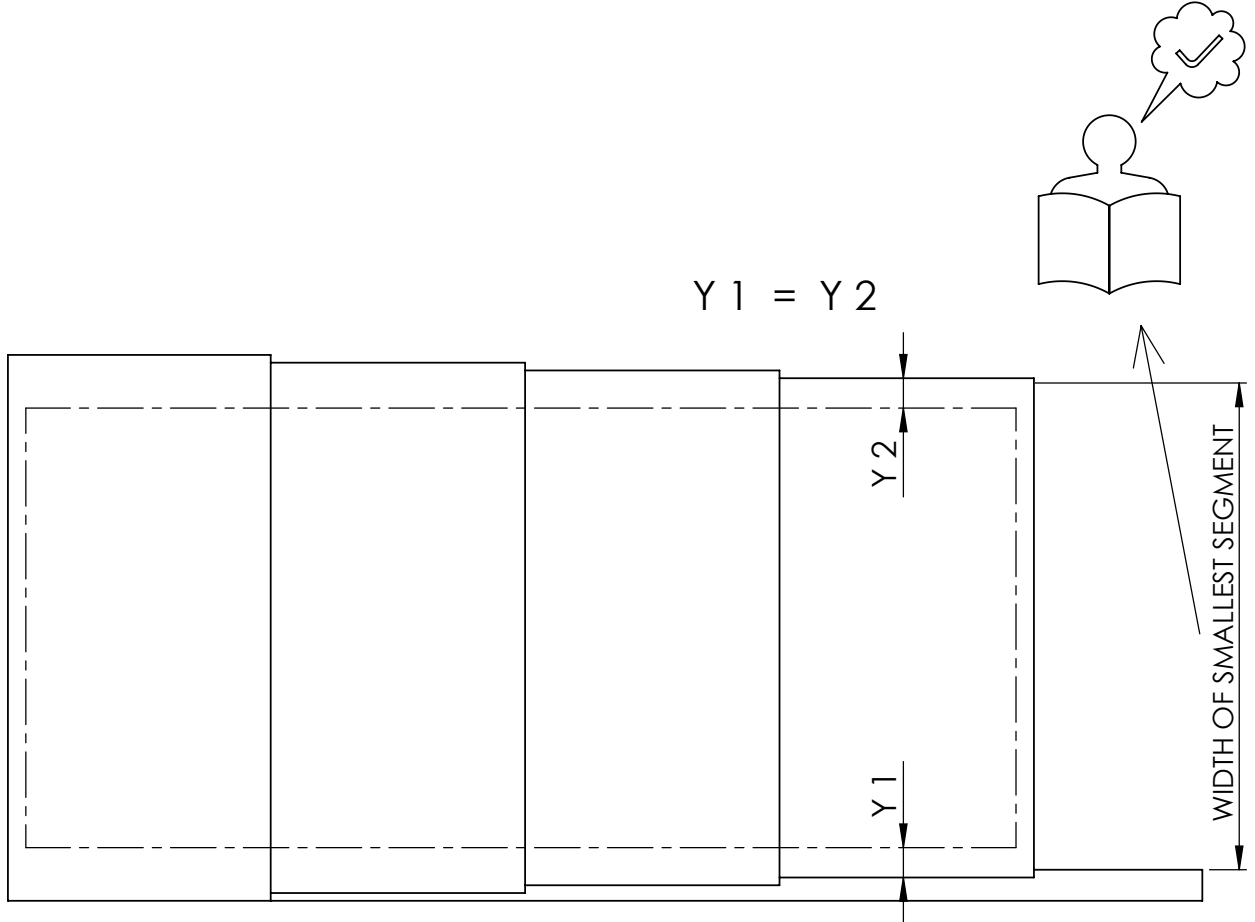
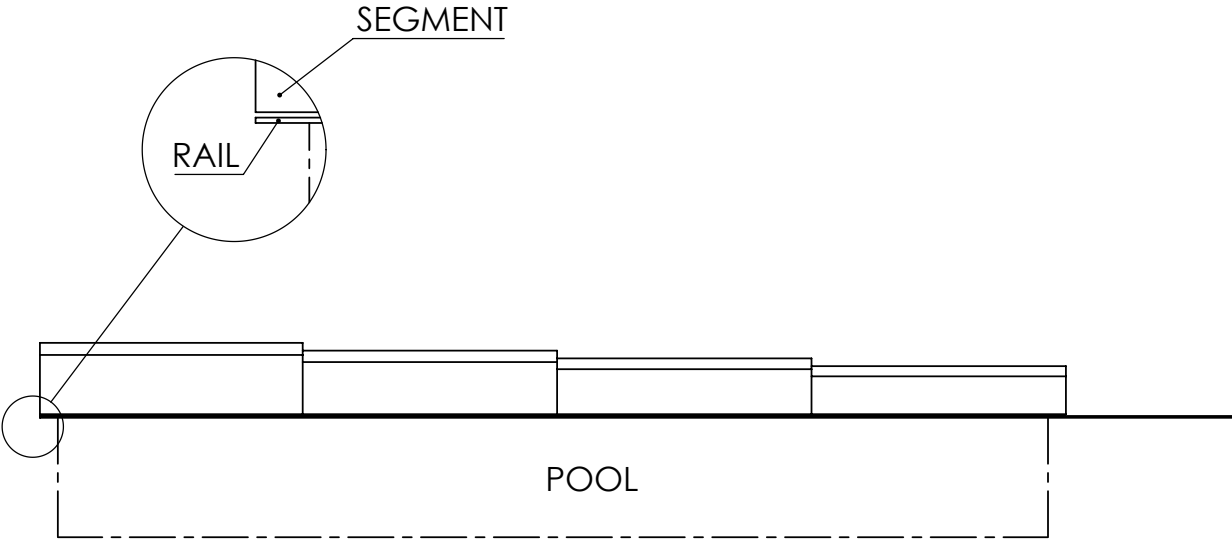
Manual

Installation of Pool Enclosure Selekt
one side rail right

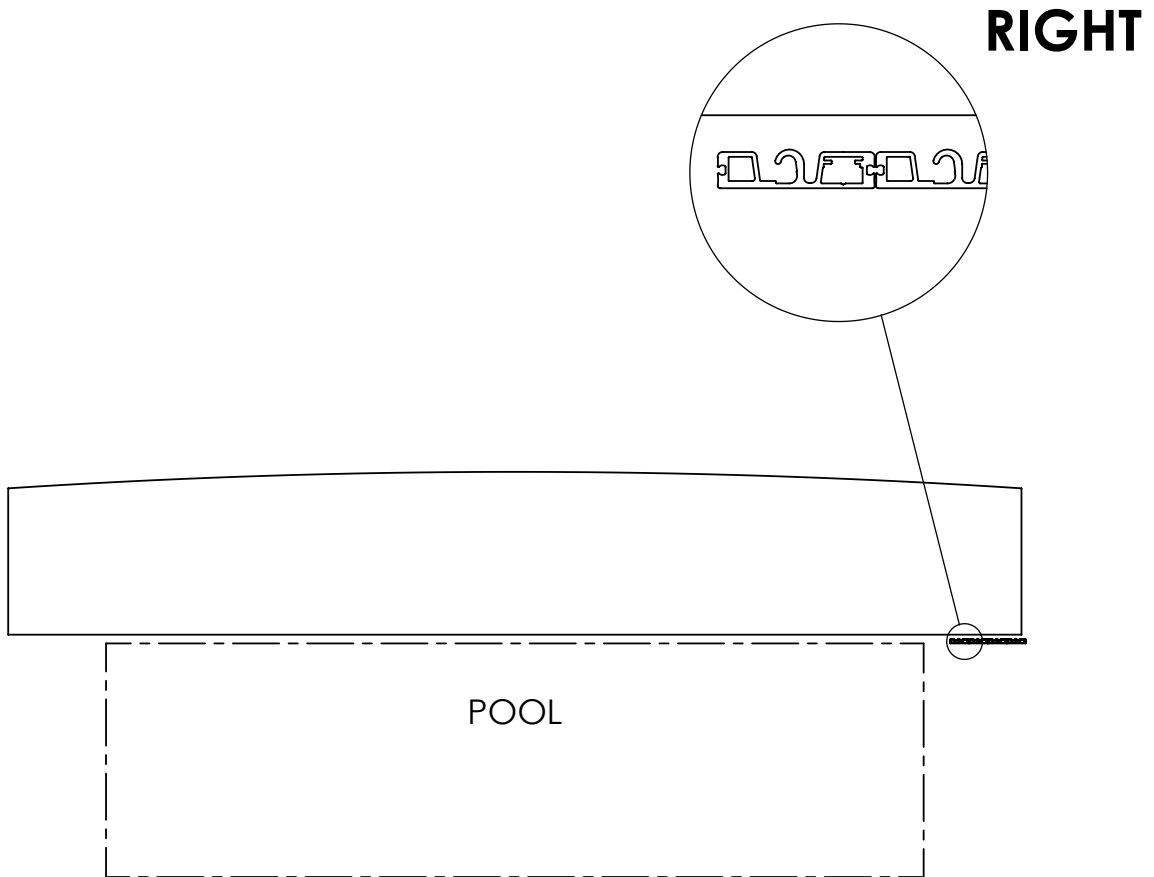
line **LIVING**

popp

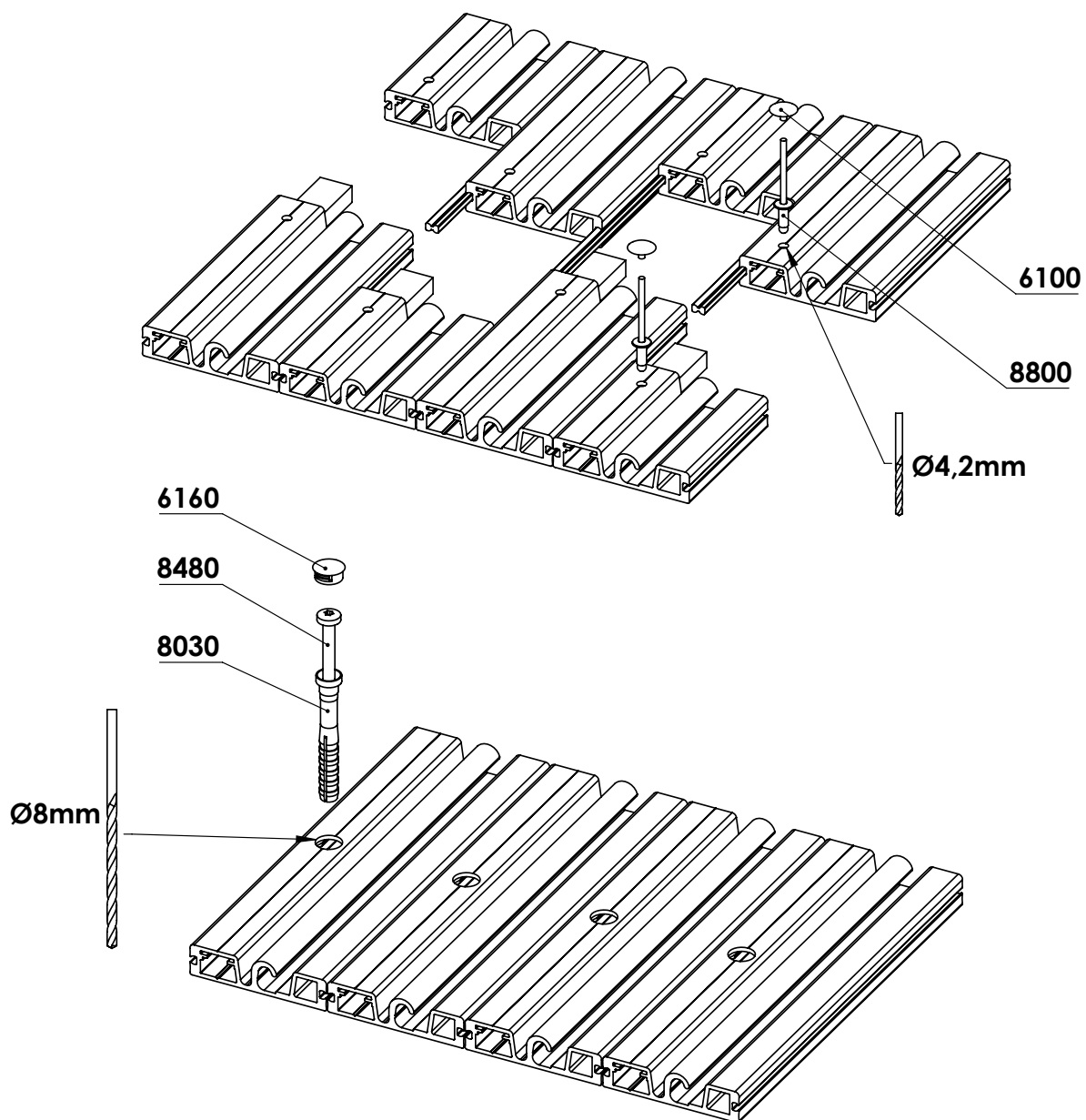
COVER POSITION



RAILS POSITION



RAIL MOUNTING



PARTS:



8480 - Ø5x60



8800 - Ø4x10



6100 - Ø4/12

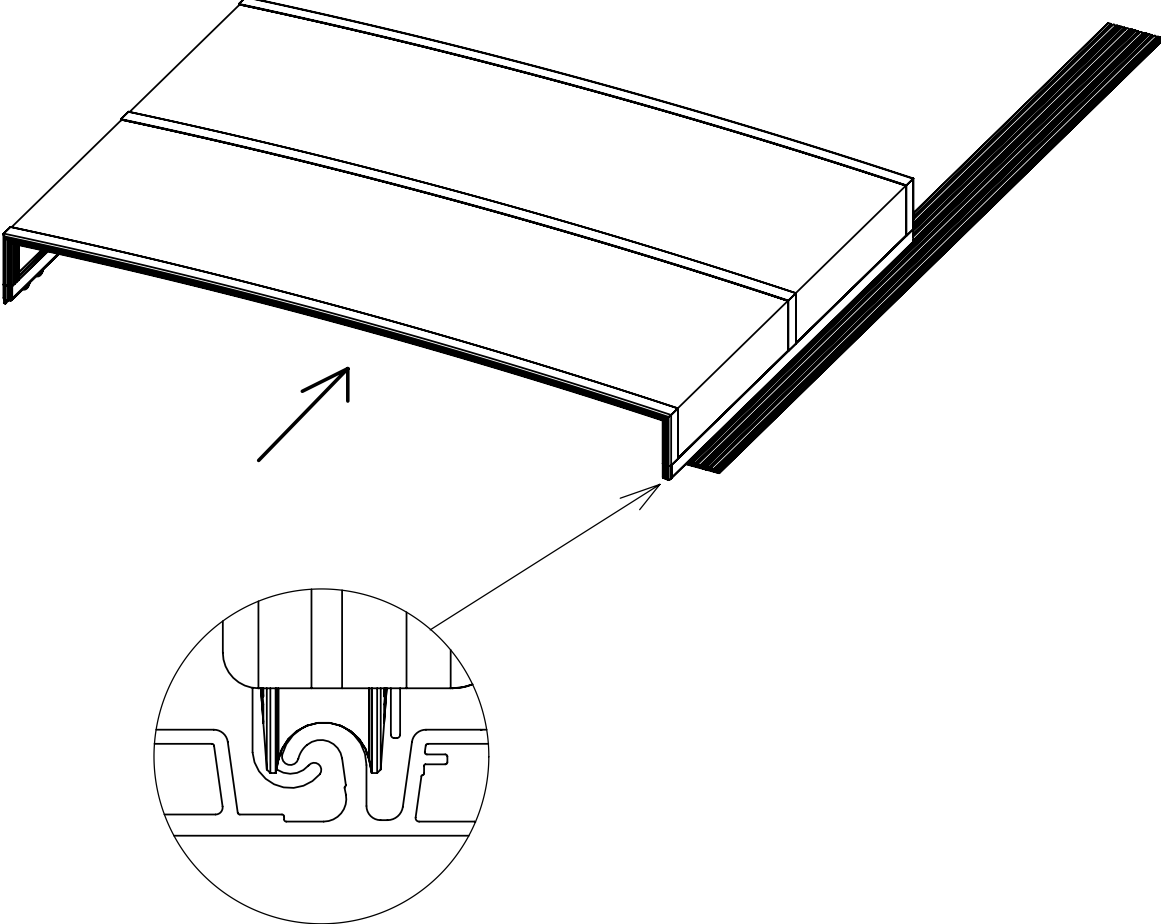


8030 - Ø8x60

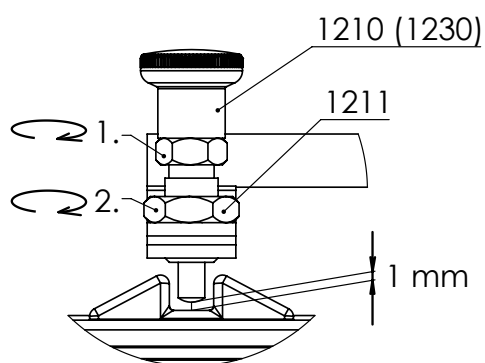
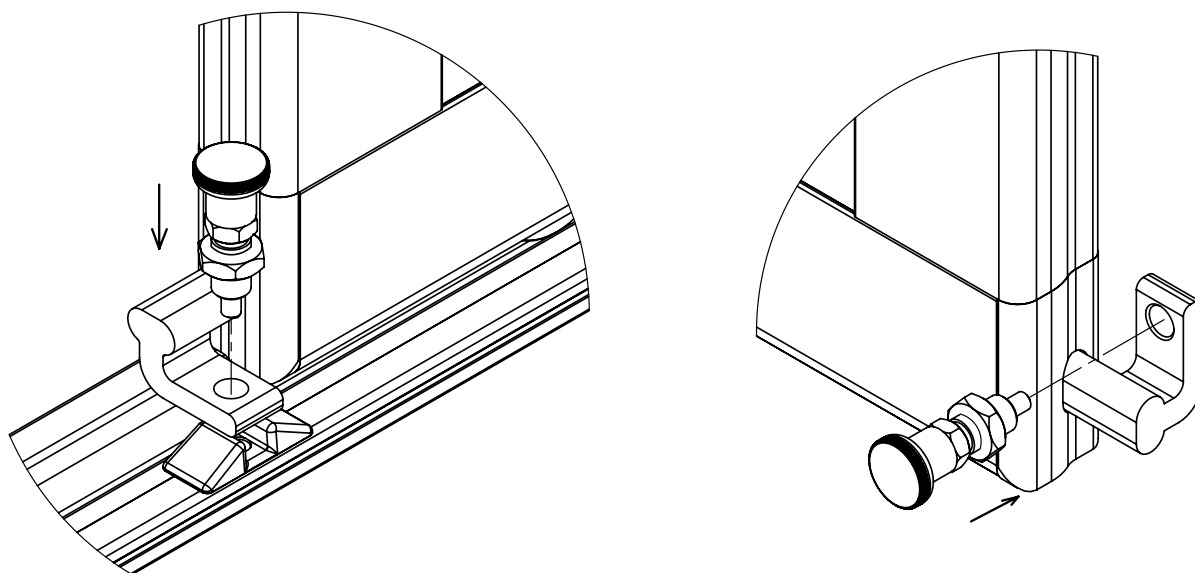


6160 - Ø12

INSTALLATION OF SEGMENTS



INSTALLATION OF LOCKING BOLT



PARTS:



1210

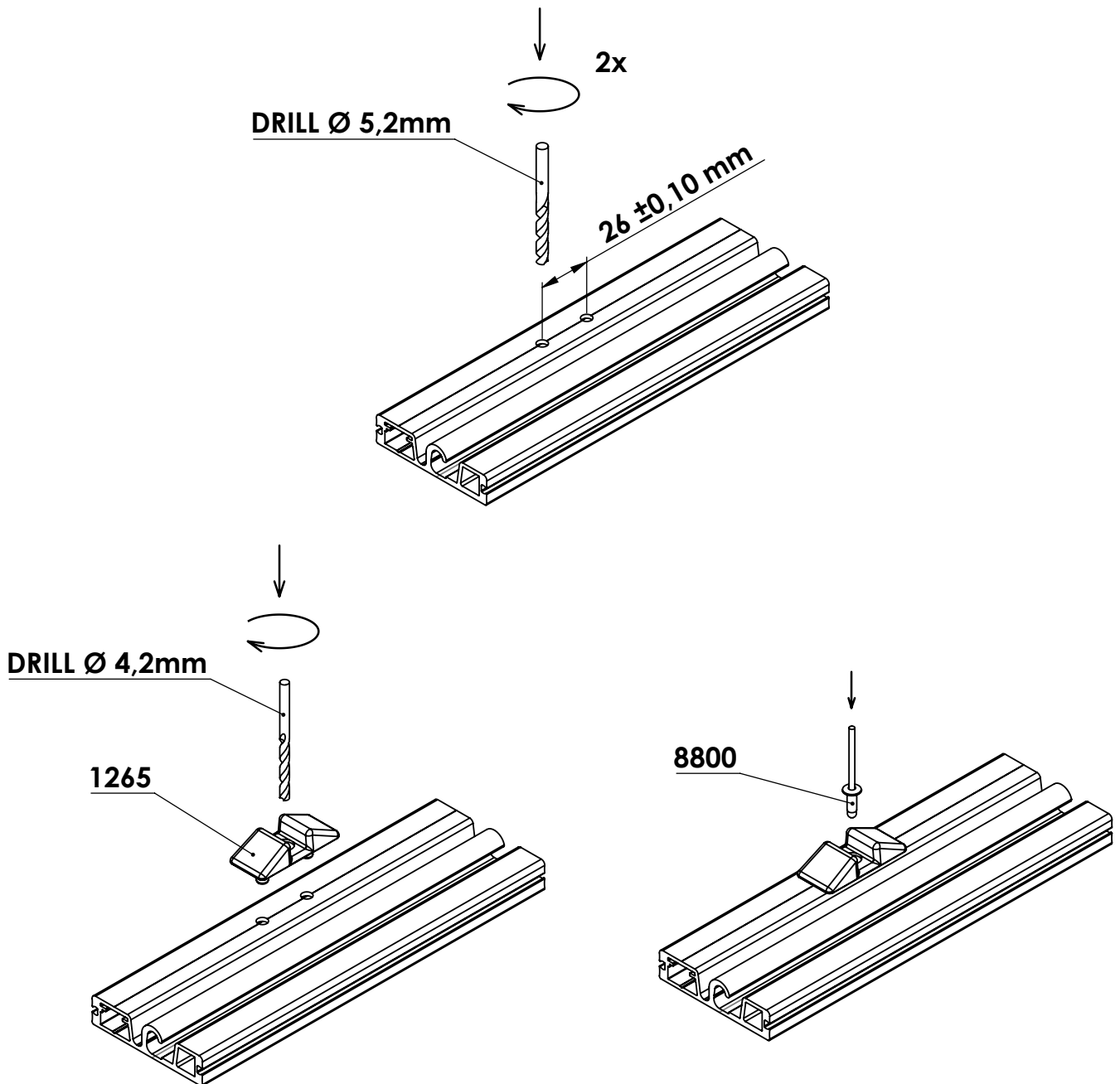


1230

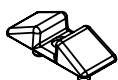


1211_M12x1,5

INSTALLATION OF FIXING PYRAMID WITHOUT HELPING TOOL



PARTS:

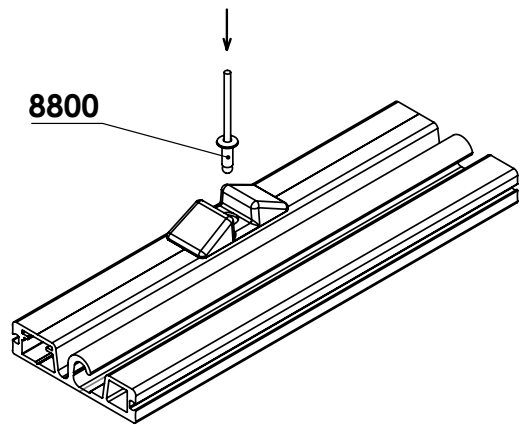
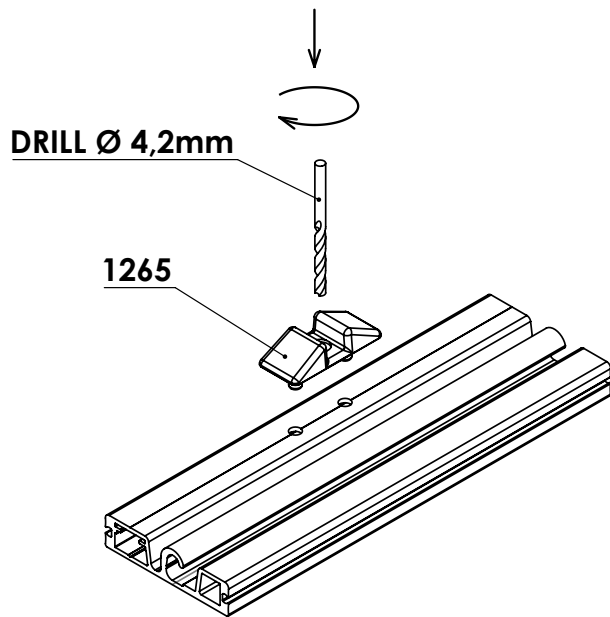
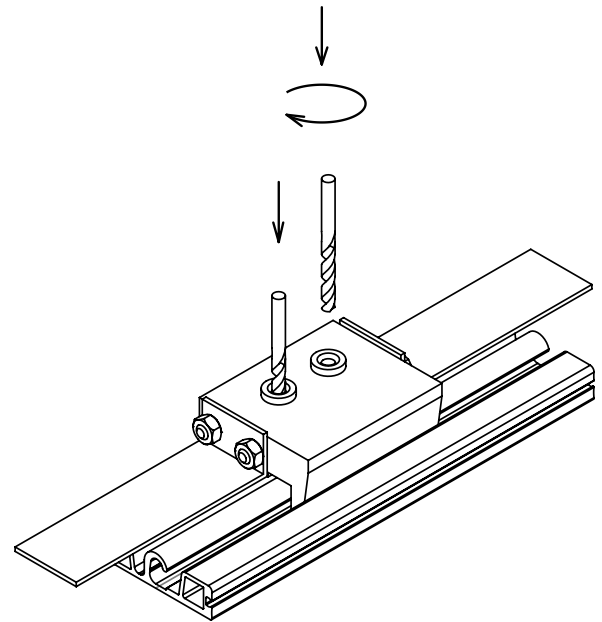
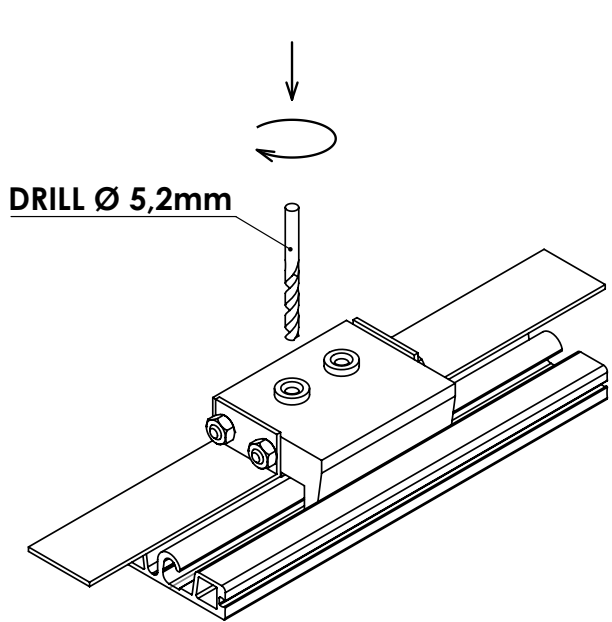


1265

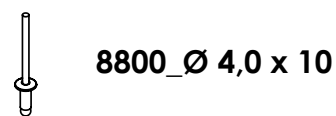
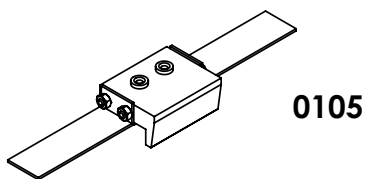


8800_Ø 4,0 x 10

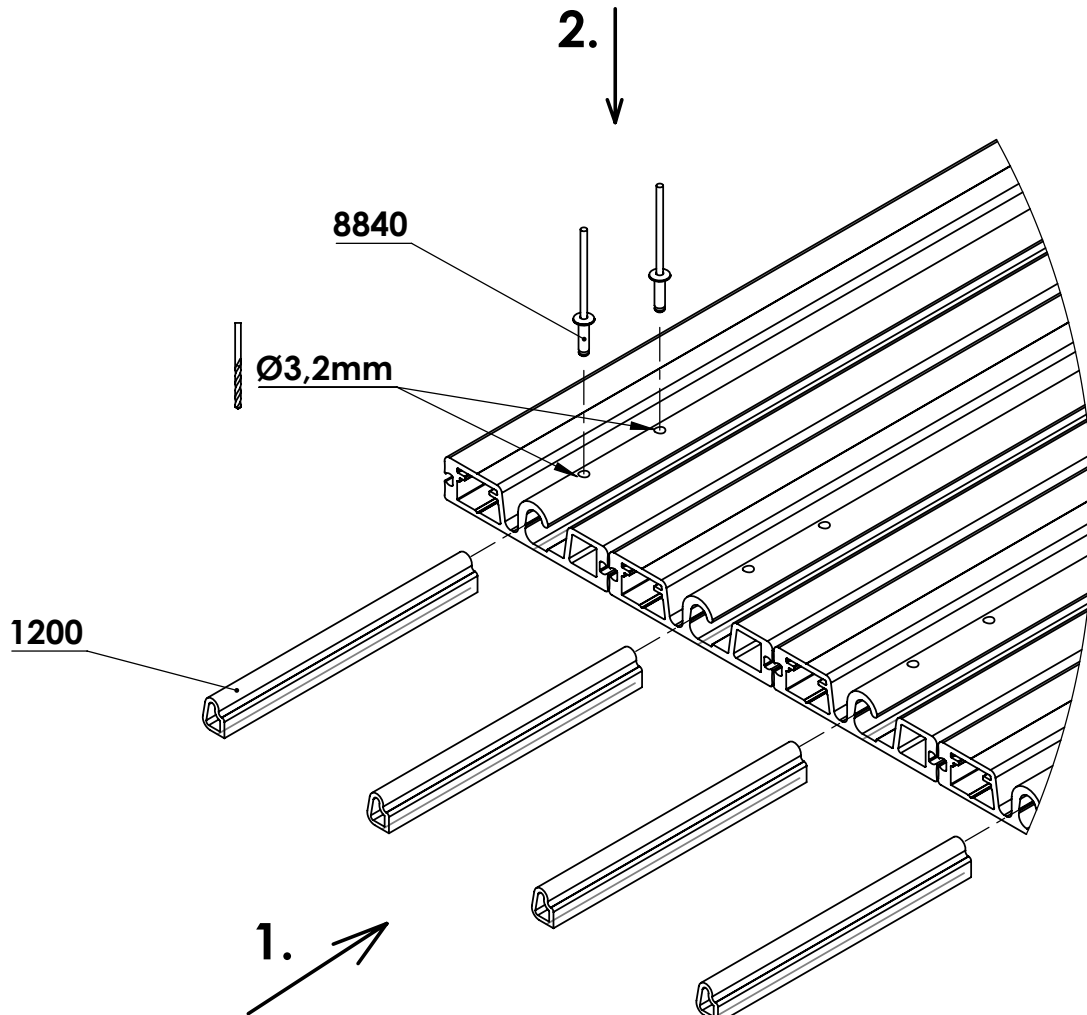
INSTALLATION OF FIXING PYRAMID - OPTION



PARTS:



PLACING OF STOP ELEMENTS FOR SEGMENTS



PARTS:

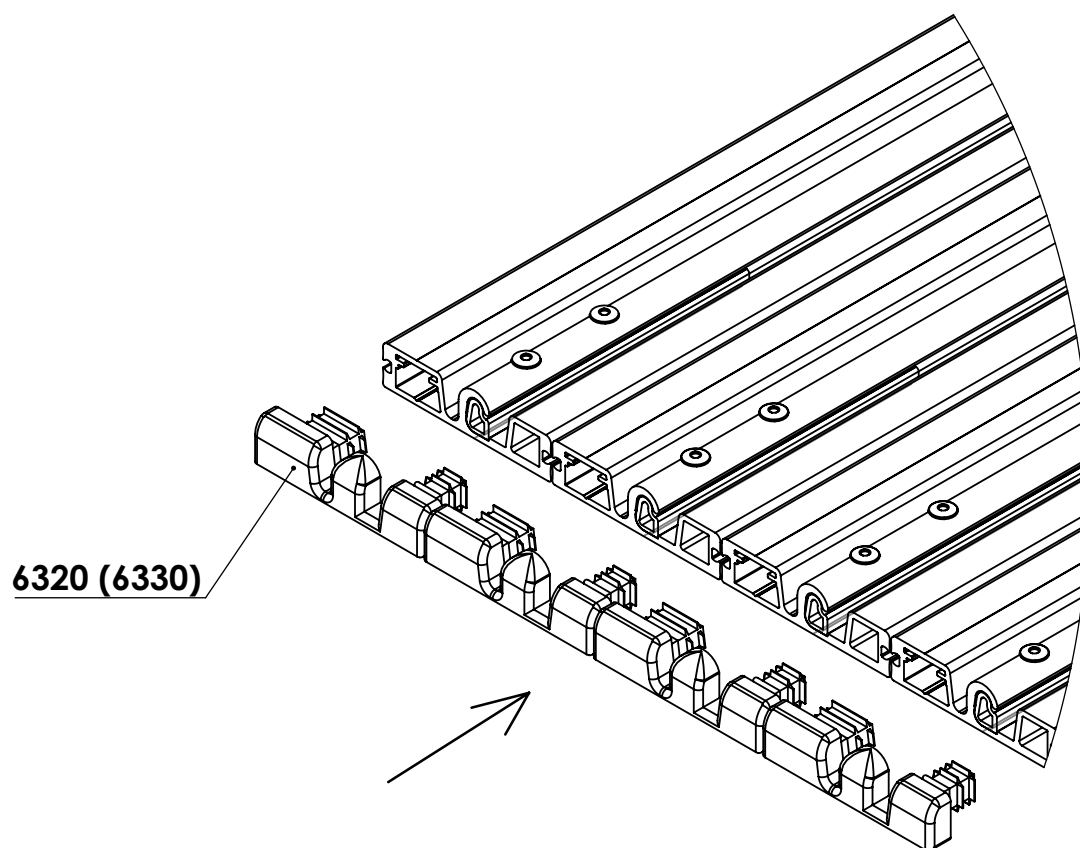


1200

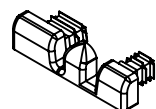


8840 - Ø3 x 10

PLACING OF BLIND PLUG OF RAIL

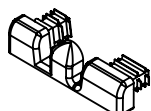


PARTS:



L

6320



R

6330